

SSD1307

Advance Information

128 x 39 Dot Matrix OLED/PLED Segment/Common Driver with Controller

This document contains information on a new product. Specifications and information herein are subject to change without notice.

<http://www.solomon-systech.com>

SSD1307

Rev 1.4

P 1/55

Oct 2010

Copyright © 2010 **Solomon Systech Limited**



Appendix: IC Revision history of SSD1307 Specification

Version	Change Items	Effective Date
1.0	<ol style="list-style-type: none"> 1. Changed to Advance Information 2. Update the TBD values in Table 11-1 : DC Characteristics 3. Update the TBD values in Table 12-1 : AC Characteristics 	28-Dec-07
1.1	<ol style="list-style-type: none"> 1. Revised section 7.9 Power ON and OFF sequence (power OFF sequence 3 and note 4) 2. Typo: Revise command table 26/27h : E[6:0] to E[7:0], F[6:0] to F[7:0] 3. Add SSD1307Z die tray information 	22-Feb-08
1.2	<ol style="list-style-type: none"> 1. Revised the frame freq formula (K) – P.20 2. Revise typo on CL pin connection -- P.20 3. Remove t_{AS} & t_{AH} timing in Table 12.5 4. Revise typo in Figure 12.4 5. Add D0 pin in Table 7.4 & Table 7.5 	16-Oct-08
1.3	<ol style="list-style-type: none"> 1. Revise Fig 13-1 Application diagram 2. Add +/- 0.05mm tolerance for Die Size (after sawing) 3. Update die thickness tolerance from $\pm 25\mu m$ to $\pm 15\mu m$ 	07-Aug-09
1.4	<ol style="list-style-type: none"> 1. P.7 , P.9, P.30, P,31, P.53 & P.54 Replace SSD1307Z by SSD1307Z2 and add SSD1307Z2 into ordering information 2. P.55 Revise declaimer 	20-Oct-10

CONTENT

1	GENERAL DESCRIPTION	7
2	FEATURES.....	7
3	ORDERING INFORMATION	7
4	BLOCK DIAGRAM.....	8
5	DIE PAD FLOOR PLAN.....	9
6	PIN DESCRIPTION	11
7	FUNCTIONAL BLOCK DESCRIPTIONS.....	13
7.1	MCU INTERFACE SELECTION	13
7.1.1	MCU Parallel 6800-series Interface	13
7.1.2	MCU Parallel 8080-series Interface	14
7.1.3	MCU Serial Interface (4-wire SPI)	15
7.1.4	MCU Serial Interface (3-wire SPI)	16
7.1.5	MCU I ² C Interface	17
7.2	COMMAND DECODER	20
7.3	OSCILLATOR CIRCUIT AND DISPLAY TIME GENERATOR	20
7.4	FR SYNCHRONIZATION	21
7.5	RESET CIRCUIT.....	21
7.6	SEGMENT DRIVERS / COMMON DRIVERS.....	22
7.7	GRAPHIC DISPLAY DATA RAM (GDDRAM)	23
7.8	SEG/COM DRIVING BLOCK	24
7.9	POWER ON AND OFF SEQUENCE.....	25
8	COMMAND TABLE	26
8.1	DATA READ / WRITE	33
9	COMMAND DESCRIPTIONS.....	34
9.1	FUNDAMENTAL COMMAND	34
9.1.1	Set Lower Column Start Address for Page Addressing Mode (00h~0Fh)	34
9.1.2	Set Higher Column Start Address for Page Addressing Mode (10h~17h).....	34
9.1.3	Set Memory Addressing Mode (20h).....	34
9.1.4	Set Column Address (21h).....	35
9.1.5	Set Page Address (22h).....	36
9.1.6	Set Display Start Line (40h~66h)	36
9.1.7	Set Contrast Control for BANK0 (81h)	36
9.1.8	Set Segment Re-map (A0h/A1h)	36
9.1.9	Entire Display ON (A4h/A5h)	37
9.1.10	Set Normal/Inverse Display (A6h/A7h).....	37
9.1.11	Set Multiplex Ratio (A8h).....	37
9.1.12	Set Display ON/OFF (AEh/AFh).....	37
9.1.13	Set Page Start Address for Page Addressing Mode (B0h~B4h)	37
9.1.14	Set COM Output Scan Direction (C0h/C8h).....	38
9.1.15	Set Display Offset (D3h).....	38
9.1.16	Set Display Clock Divide Ratio/ Oscillator Frequency (D5h)	41
9.1.17	Set Pre-charge Period (D9h)	41
9.1.18	Set COM Pins Hardware Configuration (DAh)	41
9.1.19	Set V _{COMH} Deselect Level (DBh).....	41
9.1.20	NOP (E3h)	41
9.2	GRAPHIC ACCELERATION COMMAND	42
9.2.1	Horizontal Scroll Setup (26h/27h).....	42
9.2.2	Continuous Vertical and Horizontal Scroll Setup (29h/2Ah).....	43
9.2.3	Deactivate Scroll (2Eh).....	43
9.2.4	Activate Scroll (2Fh).....	43

9.2.5	Set Vertical Scroll Area (A3h).....	43
10	MAXIMUM RATINGS	45
11	DC CHARACTERISTICS	46
12	AC CHARACTERISTICS	47
13	APPLICATION EXAMPLE	53
14	PACKAGE INFORMATION	54
14.1	SSD1307Z2 DIE TRAY INFORMATION.....	54

FIGURES

Figure 4-1 : SSD1307 Block Diagram.....	8
Figure 5-1 : SSD1307Z2 Die Drawing.....	9
Figure 7-1 : Data read back procedure - insertion of dummy read.....	14
Figure 7-2 : Example of Write procedure in 8080 parallel interface mode.....	14
Figure 7-3 : Example of Read procedure in 8080 parallel interface mode.....	14
Figure 7-4 : Display data read back procedure - insertion of dummy read.....	15
Figure 7-5 : Write procedure in 4-wire Serial interface mode.....	16
Figure 7-6 : Write procedure in 3-wire Serial interface mode.....	16
Figure 7-7 : I ² C-bus data format.....	18
Figure 7-8 : Definition of the Start and Stop Condition.....	19
Figure 7-9 : Definition of the acknowledgement condition.....	19
Figure 7-10 : Definition of the data transfer condition.....	19
Figure 7-11 : Oscillator Circuit and Display Time Generator.....	20
Figure 7-12 : Segment Output Waveform in three phases.....	22
Figure 7-13 : GDDRAM pages structure of SSD1307.....	23
Figure 7-14 : I _{REF} Current Setting by Resistor Value.....	24
Figure 7-15 : The Power ON sequence.....	25
Figure 7-16 : The Power OFF sequence.....	25
Figure 9-1 : Address Pointer Movement of Page addressing mode.....	34
Figure 9-2 : Example of GDDRAM access pointer setting in Page Addressing Mode (No row and column-remapping).....	34
Figure 9-3 : Address Pointer Movement of Horizontal addressing mode.....	35
Figure 9-4 : Address Pointer Movement of Vertical addressing mode.....	35
Figure 9-5 : Example of Column and Row Address Pointer Movement.....	36
Figure 9-6 : Transition between different modes.....	37
Figure 9-7 : Example of row address mapping.....	38
Figure 9-8 : Horizontal scroll example: Scroll RIGHT by 1 column.....	42
Figure 9-9 : Horizontal scroll example: Scroll LEFT by 1 column.....	42
Figure 9-10 : Horizontal scrolling setup example.....	42
Figure 9-11 : Continuous Vertical and Horizontal scrolling setup example.....	43
Figure 9-12 : Vertical scroll area setup examples.....	44
Figure 12-1 : 6800-series MCU parallel interface characteristics.....	48
Figure 12-2 : 8080-series parallel interface characteristics.....	49
Figure 12-3 : Serial interface characteristics (4-wire SPI).....	50
Figure 12-4 : Serial interface characteristics (3-wire SPI).....	51
Figure 12-5 : I ² C interface Timing characteristics.....	52
Figure 13-1 : Application Example of SSD1307Z2.....	53
Figure 14-1 SSD1307Z2 die tray information.....	54

TABLE

Table 3-1: Ordering Information	7
Table 5-1 : SSD1307Z2 Bump Die Pad Coordinates.....	10
Table 6-1 : Pin Description.....	11
Table 6-2 : MCU Bus Interface Pin Selection	12
Table 7-1 : MCU interface assignment under different bus interface mode	13
Table 7-2 : Control pins of 6800 interface.....	13
Table 7-3 : Control pins of 8080 interface.....	15
Table 7-4 : Control pins of 4-wire Serial interface	15
Table 7-5 : Control pins of 3-wire Serial interface	16
Table 8-1: Proposed SSD1307 Command Table	26
Table 8-2 : SEG Pins Hardware Configuration	30
Table 8-3 : Read Command Table.....	33
Table 8-4 : Address increment table (Automatic).....	33
Table 9-1 : Example of Set Display Offset and Display Start Line without Remap.....	39
Table 9-2 : Example of Set Display Offset and Display Start Line with Remap.....	40
Table 10-1 : Maximum Ratings (Voltage Referenced to V _{SS}).....	45
Table 11-1 : DC Characteristics.....	46
Table 12-1 : AC Characteristics.....	47
Table 12-2 : 6800-Series MCU Parallel Interface Timing Characteristics	48
Table 12-3 : 8080-Series MCU Parallel Interface Timing Characteristics	49
Table 12-4 : Serial Interface Timing Characteristics (4-wire SPI)	50
Table 12-5 : Serial Interface Timing Characteristics (3-wire SPI)	51
Table 12-6 : I ² C Interface Timing Characteristics	52

1 GENERAL DESCRIPTION

SSD1307 is a single-chip CMOS OLED/PLED driver with controller for organic / polymer light emitting diode dot-matrix graphic display system. It consists of 128 segments and 39 commons. This IC is designed for Common Cathode type OLED panel.

The SSD1307 embeds with contrast control, display RAM and oscillator, which reduces the number of external components and power consumption. It has 256-step brightness control. Data/Commands are sent from general MCU through the hardware selectable 6800/8080 series compatible Parallel Interface, I²C interface or Serial Peripheral Interface. It is suitable for many compact portable applications, such as mobile phone sub-display, MP3 player and calculator, etc.

2 FEATURES

- Resolution: 128 x 39 dot matrix panel
- Power supply
 - V_{DD} = 1.65V ~ 3.3V (IC logic)
 - V_{CC} = 7V ~ 15V (Panel driving power supply)
- For matrix display
 - OLED driving output voltage, 15V maximum
 - Segment maximum source current: 320uA
 - Common maximum sink current: 40mA
 - 256 step contrast brightness current control
- Embedded 128 x 39 bit SRAM display buffer
- Pin selectable MCU Interfaces:
 - 8-bit 6800/8080-series parallel interface
 - 3 / 4 wire Serial Peripheral Interface
 - I²C Interface
- Screen saving continuous scrolling function in both horizontal and vertical direction
- Programmable Frame Rate
- Programmable Multiplexing Ratio
- Row Re-mapping and Column Re-mapping
- On-Chip Oscillator
- Chip layout for COG , COF
- Wide range of operating temperature: -40°C to 85°C

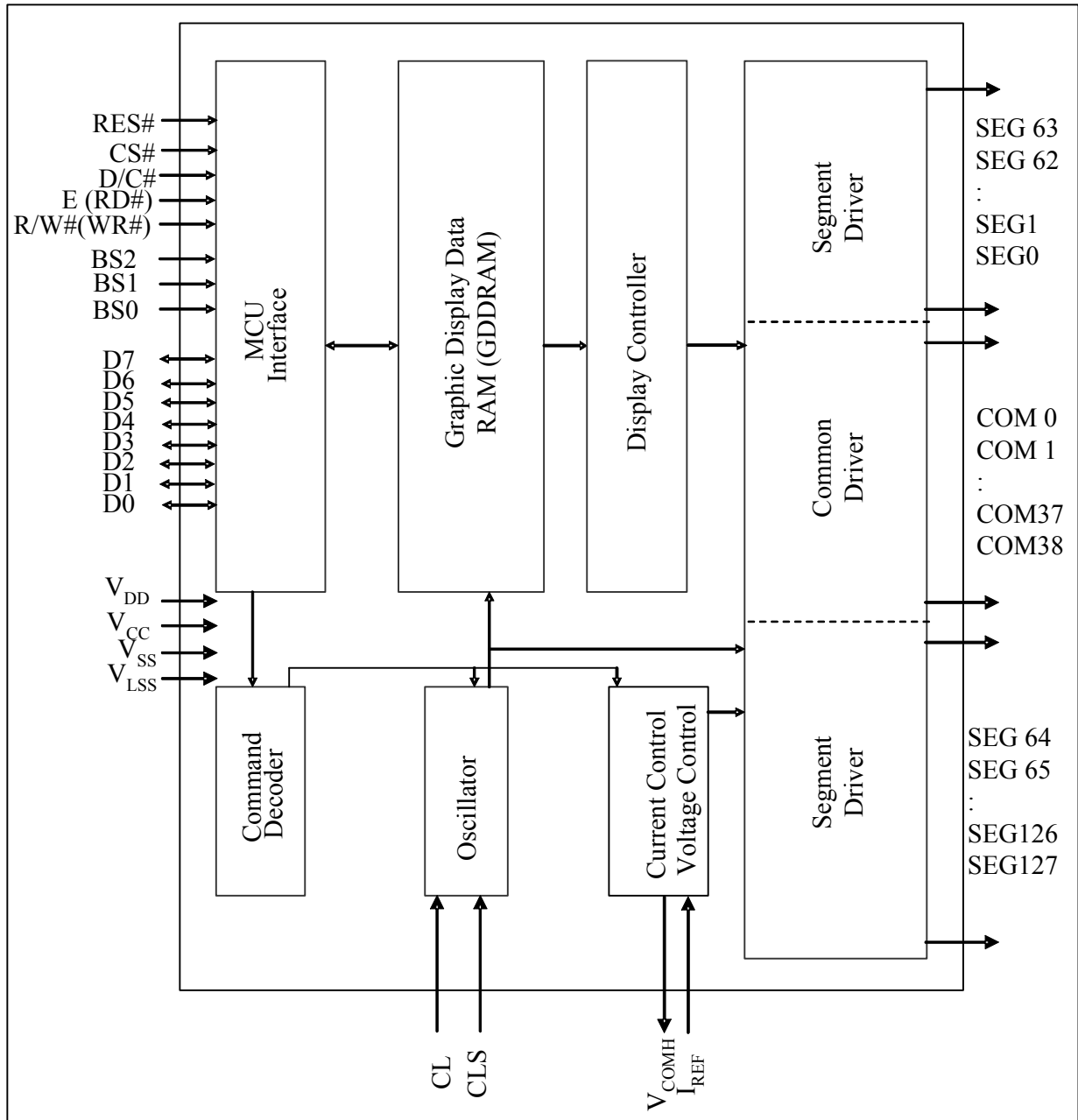
3 ORDERING INFORMATION

Table 3-1: Ordering Information

Ordering Part Number	SEG	COM	Package Form	Reference	Remark
SSD1307Z2	128	39	COG	Page 9	<ul style="list-style-type: none"> ○ Min SEG pad pitch : 32.4um ○ Min COM pad pitch : 40um ○ Die thickness : 300 +/- 15 um

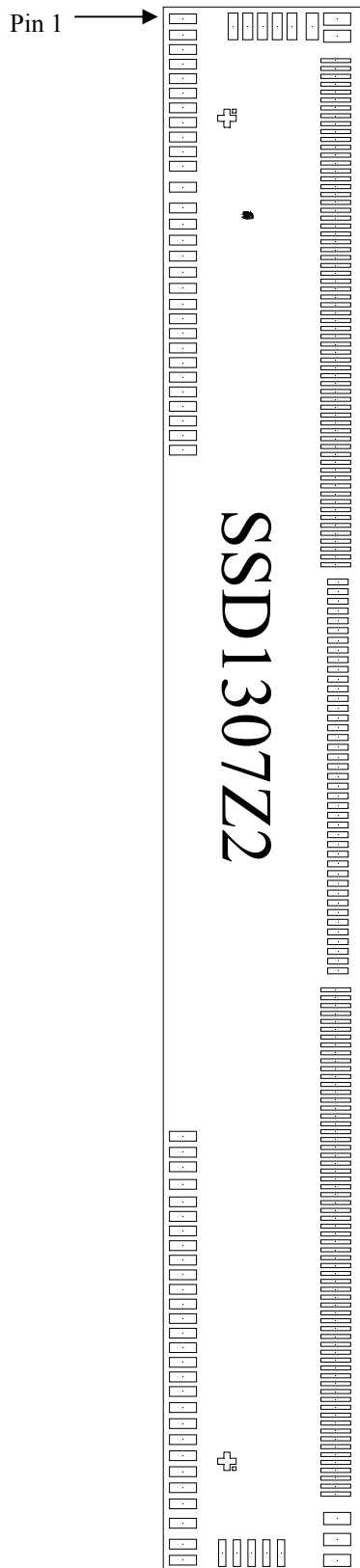
4 BLOCK DIAGRAM

Figure 4-1 : SSD1307 Block Diagram



5 DIE PAD FLOOR PLAN

Figure 5-1 : SSD1307Z2 Die Drawing



Die Size (after sawing)	6.44mm +/- 0.05mm x 0.81mm +/- 0.05mm
Die Thickness	300 um ± 15 um
Min I/O pad pitch	60 um
Min SEG pad pitch	32.4 um
Min COM pad pitch	40 um
Bump Height	Nominal 12 um

Bump Size		
Pad #	X [um]	Y [um]
1~57	40	110
240~244	110	40
58~62	110	30
63~65, 237~238	50	110
66~130, 172~236	16.4	122
131~171	24	84
239	110	50

Note

- (1) Diagram showing the Gold bumps face up.
- (2) Coordinates are referenced to center of the chip.
- (3) Coordinate units and size of all alignment marks are in um.
- (4) All alignment keys do not contain gold

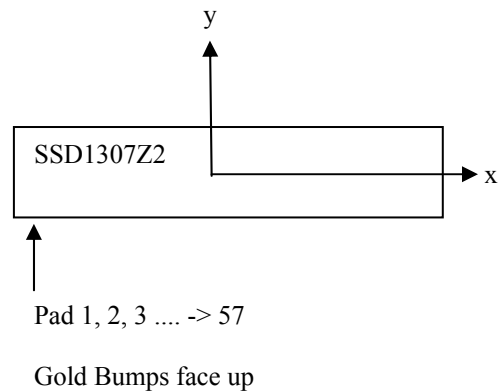


Figure 5-2 : SSD1307Z2 Alignment mark dimensions

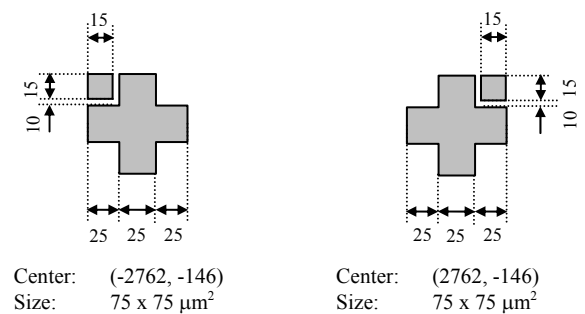


Table 5-1 : SSD1307Z2 Bump Die Pad Coordinates

Pin number	Pin name	X	Y	Pin number	Pin name	X	Y	Pin number	Pin name	X	Y	Pin number	Pin name	X	Y
1	NC	-3171.0	-325.0	81	SEG48	2410.6	297.3	161	COM29	-455.2	306.0	241	VCC	-3140.0	59.0
2	VCC	-3105.0	-325.0	82	SEG47	2378.2	297.3	162	COM30	-495.2	306.0	242	VCOMH	-3140.0	-1.0
3	VCC	-3045.0	-325.0	83	SEG46	2345.8	297.3	163	COM31	-535.2	306.0	243	VCOMH	-3140.0	-61.0
4	VCC	-2985.0	-325.0	84	SEG45	2313.4	297.3	164	COM32	-575.2	306.0	244	VLSS	-3140.0	-121.0
5	VCC	-2925.0	-325.0	85	SEG44	2281.0	297.3	165	COM33	-615.2	306.0				
6	NC	-2865.0	-325.0	86	SEG43	2248.6	297.3	166	COM34	-655.2	306.0				
7	VLSS	-2805.0	-325.0	87	SEG42	2216.2	297.3	167	COM35	-695.2	306.0				
8	VLSS	-2745.0	-325.0	88	SEG41	2183.8	297.3	168	COM36	-735.2	306.0				
9	VSS	-2685.0	-325.0	89	SEG40	2151.4	297.3	169	COM37	-775.2	306.0				
10	NC	-2625.0	-325.0	90	SEG39	2119.0	297.3	170	COM38	-815.2	306.0				
11	VDD	-2565.0	-325.0	91	SEG38	2086.6	297.3	171	NC	-855.2	306.0				
12	VDD	-2479.0	-325.0	92	SEG37	2054.2	297.3	172	VCOMH	-925.7	297.3				
13	FR	-2393.0	-325.0	93	SEG36	2021.8	297.3	173	SEG64	-958.1	297.3				
14	VSS	-2327.0	-325.0	94	SEG35	1989.4	297.3	174	SEG65	-990.5	297.3				
15	CS#	-2261.0	-325.0	95	SEG34	1957.0	297.3	175	SEG66	-1022.9	297.3				
16	RES#	-2195.0	-325.0	96	SEG33	1924.6	297.3	176	SEG67	-1055.3	297.3				
17	D/C#	-2129.0	-325.0	97	SEG32	1892.2	297.3	177	SEG68	-1087.7	297.3				
18	VSS	-2063.0	-325.0	98	SEG31	1859.8	297.3	178	SEG69	-1120.1	297.3				
19	R/W#(WR#)	-1997.0	-325.0	99	SEG30	1827.4	297.3	179	SEG70	-1152.5	297.3				
20	E(RD#)	-1937.0	-325.0	100	SEG29	1795.0	297.3	180	SEG71	-1184.9	297.3				
21	D0	-1877.0	-325.0	101	SEG28	1762.6	297.3	181	SEG72	-1217.3	297.3				
22	D1	-1817.0	-325.0	102	SEG27	1730.2	297.3	182	SEG73	-1249.7	297.3				
23	D2	-1757.0	-325.0	103	SEG26	1697.8	297.3	183	SEG74	-1282.1	297.3				
24	D3	-1697.0	-325.0	104	SEG25	1665.4	297.3	184	SEG75	-1314.5	297.3				
25	VSS	-1637.0	-325.0	105	SEG24	1633.0	297.3	185	SEG76	-1346.9	297.3				
26	D4	-1577.0	-325.0	106	SEG23	1600.6	297.3	186	SEG77	-1379.3	297.3				
27	D5	-1517.0	-325.0	107	SEG22	1568.2	297.3	187	SEG78	-1411.7	297.3				
28	D6	-1457.0	-325.0	108	SEG21	1535.8	297.3	188	SEG79	-1444.1	297.3				
29	D7	-1397.0	-325.0	109	SEG20	1503.4	297.3	189	SEG80	-1476.5	297.3				
30	IREF	1425.0	-325.0	110	SEG19	1471.0	297.3	190	SEG81	-1508.9	297.3				
31	VLSS	1491.0	-325.0	111	SEG18	1438.6	297.3	191	SEG82	-1541.3	297.3				
32	VLSS	1551.0	-325.0	112	SEG17	1406.2	297.3	192	SEG83	-1573.7	297.3				
33	NC	1623.0	-325.0	113	SEG16	1373.8	297.3	193	SEG84	-1606.1	297.3				
34	VCOMH	1695.0	-325.0	114	SEG15	1341.4	297.3	194	SEG85	-1638.5	297.3				
35	VCOMH	1755.0	-325.0	115	SEG14	1309.0	297.3	195	SEG86	-1670.9	297.3				
36	VCOMH	1815.0	-325.0	116	SEG13	1276.6	297.3	196	SEG87	-1703.3	297.3				
37	VCOMH	1875.0	-325.0	117	SEG12	1244.2	297.3	197	SEG88	-1735.7	297.3				
38	VCC	1935.0	-325.0	118	SEG11	1211.8	297.3	198	SEG89	-1768.1	297.3				
39	VCC	1995.0	-325.0	119	SEG10	1179.4	297.3	199	SEG90	-1800.5	297.3				
40	VCC	2055.0	-325.0	120	SEG9	1147.0	297.3	200	SEG91	-1832.9	297.3				
41	VCC	2115.0	-325.0	121	SEG8	1114.6	297.3	201	SEG92	-1865.3	297.3				
42	CL	2175.0	-325.0	122	SEG7	1082.2	297.3	202	SEG93	-1897.7	297.3				
43	VSS	2235.0	-325.0	123	SEG6	1049.8	297.3	203	SEG94	-1930.1	297.3				
44	VSS	2295.0	-325.0	124	SEG5	1017.4	297.3	204	SEG95	-1962.5	297.3				
45	CLS	2355.0	-325.0	125	SEG4	985.0	297.3	205	SEG96	-1994.9	297.3				
46	VDD	2415.0	-325.0	126	SEG3	952.6	297.3	206	SEG97	-2027.3	297.3				
47	BS0	2475.0	-325.0	127	SEG2	920.2	297.3	207	SEG98	-2059.7	297.3				
48	VSS	2541.0	-325.0	128	SEG1	887.8	297.3	208	SEG99	-2092.1	297.3				
49	BS1	2607.0	-325.0	129	SEG0	855.4	297.3	209	SEG100	-2124.5	297.3				
50	VDD	2673.0	-325.0	130	VCOMH	823.0	297.3	210	SEG101	-2156.9	297.3				
51	VDD	2739.0	-325.0	131	NC	744.8	306.0	211	SEG102	-2189.3	297.3				
52	BS2	2805.0	-325.0	132	COM0	704.8	306.0	212	SEG103	-2221.7	297.3				
53	VSS	2871.0	-325.0	133	COM1	664.8	306.0	213	SEG104	-2254.1	297.3				
54	TRB0	2937.0	-325.0	134	COM2	624.8	306.0	214	SEG105	-2286.5	297.3				
55	VDD	3017.0	-325.0	135	COM3	584.8	306.0	215	SEG106	-2318.9	297.3				
56	TRB1	3103.0	-325.0	136	COM4	544.8	306.0	216	SEG107	-2351.3	297.3				
57	VSS	3169.0	-325.0	137	COM5	504.8	306.0	217	SEG108	-2383.7	297.3				
58	TRA3	3140.0	-165.2	138	COM6	464.8	306.0	218	SEG109	-2416.1	297.3				
59	TRA2	3140.0	-105.2	139	COM7	424.8	306.0	219	SEG110	-2448.5	297.3				
60	VSS	3140.0	-45.2	140	COM8	384.8	306.0	220	SEG111	-2480.9	297.3				
61	TRA1	3140.0	14.8	141	COM9	344.8	306.0	221	SEG112	-2513.3	297.3				
62	TRA0	3140.0	74.8	142	COM10	304.8	306.0	222	SEG113	-2545.7	297.3				
63	VCC	3170.0	303.3	143	COM11	264.8	306.0	223	SEG114	-2578.1	297.3				
64	VLSS	3083.7	303.3	144	COM12	224.8	306.0	224	SEG115	-2610.5	297.3				
65	VLSS	2997.4	303.3	145	COM13	184.8	306.0	225	SEG116	-2642.9	297.3				
66	SEG63	2896.6	297.3	146	COM14	144.8	306.0	226	SEG117	-2675.3	297.3				
67	SEG62	2864.2	297.3	147	COM15	104.8	306.0	227	SEG118	-2707.7	297.3				
68	SEG61	2831.8	297.3	148	COM16	64.8	306.0	228	SEG119	-2740.1	297.3				
69	SEG60	2799.4	297.3	149	COM17	24.8	306.0	229	SEG120	-2772.5	297.3				
70	SEG59	2767.0	297.3	150	COM18	-15.2	306.0	230	SEG121	-2804.9	297.3				
71	SEG58	2734.6	297.3	151	COM19	-55.2	306.0	231	SEG122	-2837.3	297.3				
72	SEG57	2702.2	297.3	152	COM20	-95.2	306.0	232	SEG123	-2869.7	297.3				
73	SEG56	2669.8	297.3	153	COM21	-135.2	306.0	233	SEG124	-2902.1	297.3				
74	SEG55	2637.4	297.3	154	COM22	-175.2	306.0	234	SEG125	-2934.5	297.3				
75	SEG54	2605.0	297.3	155	COM23	-215.2	306.0	235	SEG126	-2966.9	297.3				
76	SEG53	2572.6	297.3	156	COM24	-255.2	306.0	236	SEG127	-2999.3	297.3				
77	SEG52	2540.2	297.3	157	COM25	-295.2	306.0	237	VCC	-3100.0	303.3				
78	SEG51	2507.8	297.3	158	COM26	-335.2	306.0	238	VCC	-3170.0	303.3				
79	SEG50	2475.4	297.3	159	COM27	-375.2	306.0	239	NC	-3140.0	201.8				
80	SEG49	2443.0	297.3	160	COM28	-415.2	306.0	240	VCC	-3140.0	119.0				

6 PIN DESCRIPTION

Key:

I = Input	NC = Not Connected
O =Output	Pull LOW= connect to Ground
I/O = Bi-directional (input/output)	Pull HIGH= connect to V _{DD}
P = Power pin	

Table 6-1 : Pin Description

Pin Name	Type	Description
V _{DD}	P	Power supply pin for core logic operation.
V _{CC}	P	Power supply for panel driving voltage. This is also the most positive power voltage supply pin.
V _{SS}	P	This is a ground pin.
V _{LSS}	P	This is an analog ground pin. It should be connected to V _{SS} externally.
V _{COMH}	O	The pin is for COM signal deselected voltage level. A capacitor should be connected between this pin and V _{SS} .
BS[2:0]	I	MCU bus interface selection pins. Please refer to Table 6-2 for the details of setting.
I _{REF}	I	This is segment output current reference pin. A resistor should be connected between this pin and V _{SS} to maintain the I _{REF} current at 10 uA. Please refer to Figure 7-14 for the details of resistor value.
FR	O	This pin outputs RAM write synchronization signal. Proper timing between MCU data writing and frame display timing can be achieved to prevent tearing effect. It should be kept NC if it is not used. Please refer to Section 7.4 for details usage.
CL	I	This is external clock input pin. When internal clock is enabled (i.e. HIGH in CLS pin), this pin is not used and should be connected to V _{SS} . When internal clock is disabled (i.e. LOW in CLS pin), this pin is the external clock source input pin.
CLS	I	This is internal clock enable pin. When it is pulled HIGH (i.e. connect to V _{DD}), internal clock is enabled. When it is pulled LOW, the internal clock is disabled; an external clock source must be connected to the CL pin for normal operation.
RES#	I	This pin is reset signal input. When the pin is pulled LOW, initialization of the chip is executed. Keep this pin HIGH (i.e. connect to V _{DD}) during normal operation.
CS#	I	This pin is the chip select input. (active LOW)
D/C#	I	This is Data/Command control pin. When it is pulled HIGH (i.e. connect to V _{DD}), the data at D[7:0] is treated as data. When it is pulled LOW, the data at D[7:0] will be transferred to the command register. In I ² C mode, this pin acts as SA0 for slave address selection. When 3-wire serial interface is selected, this pin must be connected to V _{SS} . For detail relationship to MCU interface signals, please refer to the Timing Characteristics Diagrams: Figure 12-1 to Figure 12-5.

Pin Name	Type	Description
E (RD#)	I	When interfacing to a 6800-series microprocessor, this pin will be used as the Enable (E) signal. Read/write operation is initiated when this pin is pulled HIGH (i.e. connect to V _{DD}) and the chip is selected. When connecting to an 8080-series microprocessor, this pin receives the Read (RD#) signal. Read operation is initiated when this pin is pulled LOW and the chip is selected. When serial interface is selected, this pin must be connected to V _{SS} .
R/W#(WR#)	I	This is read / write control input pin connecting to the MCU interface. When interfacing to a 6800-series microprocessor, this pin will be used as Read/Write (R/W#) selection input. Read mode will be carried out when this pin is pulled HIGH (i.e. connect to VDD) and write mode when LOW. When 8080 interface mode is selected, this pin will be the Write (WR#) input. Data write operation is initiated when this pin is pulled LOW and the chip is selected. When serial or I2C interface is selected, this pin must be connected to V _{SS} .
D[7:0]	IO	These are 8-bit bi-directional data bus to be connected to the microprocessor's data bus. When serial interface mode is selected, D0 will be the serial clock input: SCLK; D1 will be the serial data input: SDIN and D2 should be kept NC. When I ² C mode is selected, D2, D1 should be tied together and serve as SDA _{out} , SDA _{in} in application and D0 is the serial clock input, SCL.
TRA[3:0]	-	Reserved pin and is recommended to keep it float.
TRB[1:0]	-	Reserved pin and is recommended to be connected to V _{SS} .
SEG0 ~ SEG127	O	These pins provide Segment switch signals to OLED panel. These pins are V _{SS} state when display is OFF.
COM0 ~ COM39	O	These pins provide Common switch signals to OLED panel. They are in high impedance state when display is OFF.
NC	-	This is dummy pin. Do not group or short NC pins together.

Table 6-2 : MCU Bus Interface Pin Selection

SSD1307 Pin Name	I ² C Interface	6800-parallel interface (8 bit)	8080-parallel interface (8 bit)	4-wire Serial interface	3-wire Serial interface
BS0	0	0	0	0	1
BS1	1	0	1	0	0
BS2	0	1	1	0	0

Note

⁽¹⁾ 0 is connected to V_{SS}

⁽²⁾ 1 is connected to V_{DD}

7 FUNCTIONAL BLOCK DESCRIPTIONS

7.1 MCU Interface selection

SSD1307 MCU interface consist of 8 data pins and 5 control pins. The pin assignment at different interface mode is summarized in Table 7-1. Different MCU mode can be set by hardware selection on BS[2:0] pins (please refer to Table 6-2 for BS[2:0] setting).

Table 7-1 : MCU interface assignment under different bus interface mode

Pin Name Bus Interface	Data/Command Interface								Control Signal				
	D7	D6	D5	D4	D3	D2	D1	D0	E	R/W#	CS#	D/C#	RES#
8-bit 8080	D[7:0]								RD#	WR#	CS#	D/C#	RES#
8-bit 6800	D[7:0]								E	R/W#	CS#	D/C#	RES#
3-wire SPI	Tie LOW				NC	SDIN	SCLK	Tie LOW		CS#	Tie LOW	RES#	
4-wire SPI	Tie LOW				NC	SDIN	SCLK	Tie LOW		CS#	D/C#	RES#	
I ² C	Tie LOW				SDA _{OUT}	SDA _{IN}	SCL	Tie LOW			SA0	RES#	

7.1.1 MCU Parallel 6800-series Interface

The parallel interface consists of 8 bi-directional data pins (D[7:0]), R/W#, D/C#, E and CS#.

A LOW in R/W# indicates WRITE operation and HIGH in R/W# indicates READ operation.

A LOW in D/C# indicates COMMAND read/write and HIGH in D/C# indicates DATA read/write.

The E input serves as data latch signal while CS# is LOW. Data is latched at the falling edge of E signal.

Table 7-2 : Control pins of 6800 interface

Function	E	R/W#	CS#	D/C#
Write command	↓	L	L	L
Read status	↓	H	L	L
Write data	↓	L	L	H
Read data	↓	H	L	H

Note

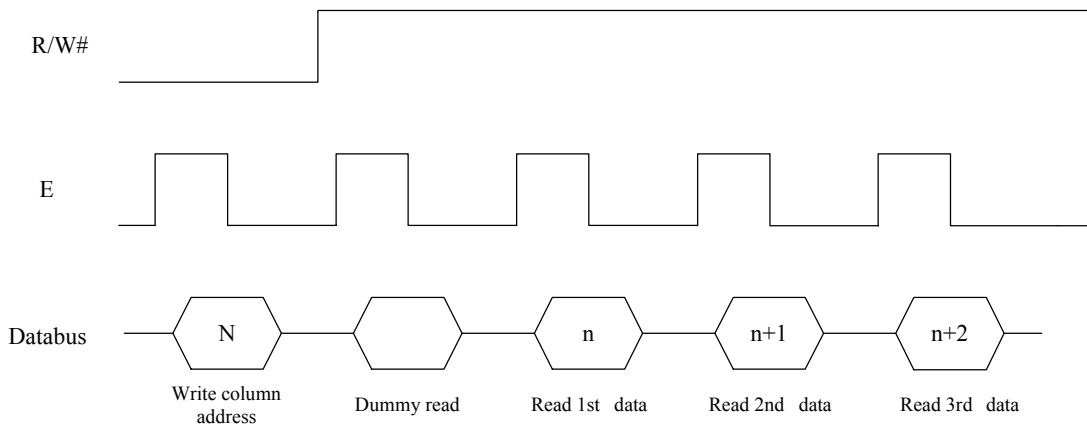
⁽¹⁾ ↓ stands for falling edge of signal

H stands for HIGH in signal

L stands for LOW in signal

In order to match the operating frequency of display RAM with that of the microprocessor, some pipeline processing is internally performed which requires the insertion of a dummy read before the first actual display data read. This is shown in Figure 7-1.

Figure 7-1 : Data read back procedure - insertion of dummy read



7.1.2 MCU Parallel 8080-series Interface

The parallel interface consists of 8 bi-directional data pins (D[7:0]), RD#, WR#, D/C# and CS#.

A LOW in D/C# indicates COMMAND read/write and HIGH in D/C# indicates DATA read/write.

A rising edge of RD# input serves as a data READ latch signal while CS# is kept LOW.

A rising edge of WR# input serves as a data/command WRITE latch signal while CS# is kept LOW.

Figure 7-2 : Example of Write procedure in 8080 parallel interface mode

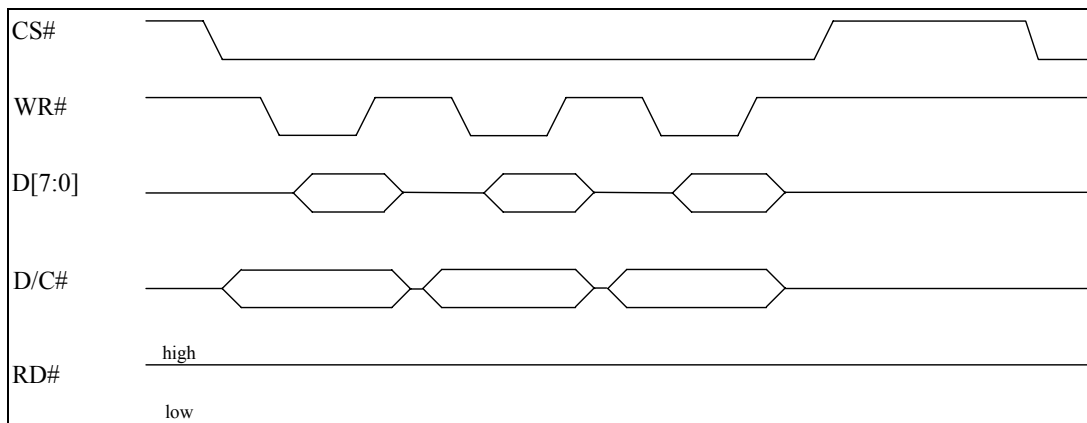


Figure 7-3 : Example of Read procedure in 8080 parallel interface mode

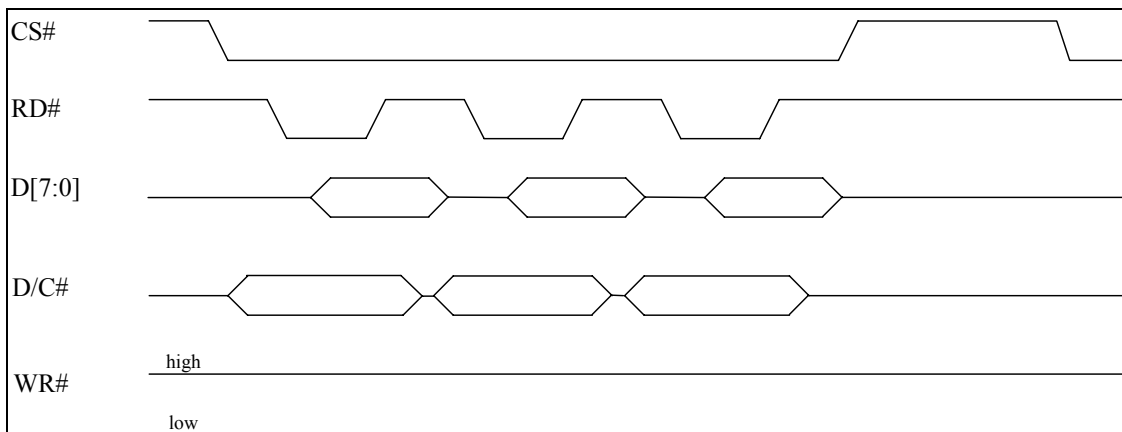


Table 7-3 : Control pins of 8080 interface

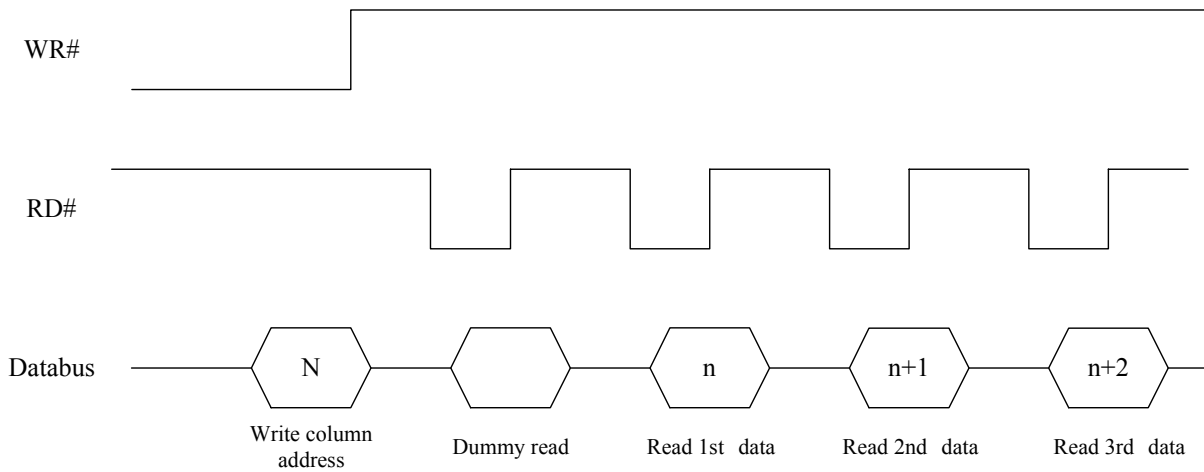
Function	RD#	WR#	CS#	D/C#
Write command	H	↑	L	L
Read status	↑	H	L	L
Write data	H	↑	L	H
Read data	↑	H	L	H

Note

- (1) ↑ stands for rising edge of signal
- (2) H stands for HIGH in signal
- (3) L stands for LOW in signal

In order to match the operating frequency of display RAM with that of the microprocessor, some pipeline processing is internally performed which requires the insertion of a dummy read before the first actual display data read. This is shown in Figure 7-4.

Figure 7-4 : Display data read back procedure - insertion of dummy read



7.1.3 MCU Serial Interface (4-wire SPI)

The 4-wire serial interface consists of serial clock: SCLK, serial data: SDIN, D/C#, CS#. In 4-wire SPI mode, D0 acts as SCLK, D1 acts as SDIN. For the unused data pins, D2 should be left open. The pins from D3 to D7, E and R/W# (WR#)# can be connected to an external ground.

Table 7-4 : Control pins of 4-wire Serial interface

Function	E	R/W#	CS#	D/C#	D0
Write command	Tie LOW	Tie LOW	L	L	↑
Write data	Tie LOW	Tie LOW	L	H	↑

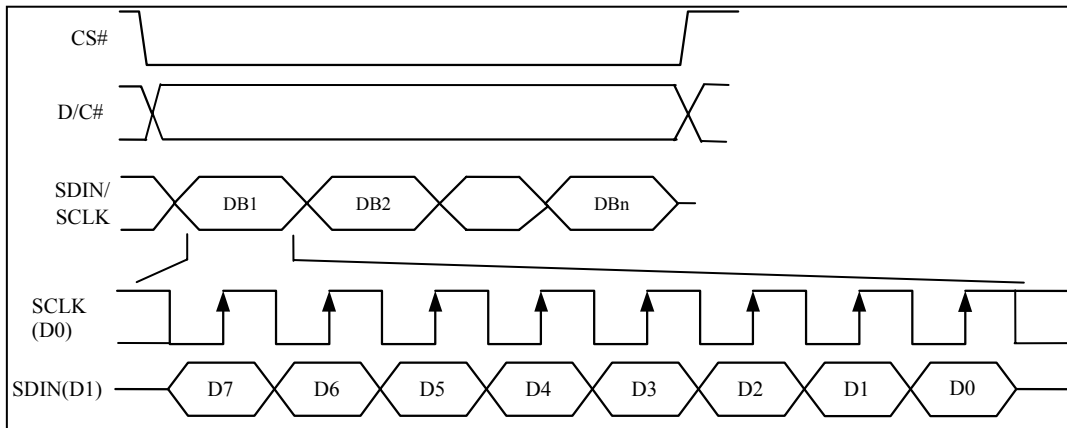
Note

- (1) H stands for HIGH in signal
- (2) L stands for LOW in signal
- (3) ↑ stands for rising edge of signal

SDIN is shifted into an 8-bit shift register on every rising edge of SCLK in the order of D7, D6, ... D0. D/C# is sampled on every eighth clock and the data byte in the shift register is written to the Graphic Display Data RAM (GDDRAM) or command register in the same clock.

Under serial mode, only write operations are allowed.

Figure 7-5 : Write procedure in 4-wire Serial interface mode



7.1.4 MCU Serial Interface (3-wire SPI)

The 3-wire serial interface consists of serial clock SCLK, serial data SDIN and CS#.

In 3-wire SPI mode, D0 acts as SCLK, D1 acts as SDIN. For the unused data pins, D2 should be left open. The pins from D3 to D7, R/W# (WR#)#, E and D/C# can be connected to an external ground.

The operation is similar to 4-wire serial interface while D/C# pin is not used. There are altogether 9-bits will be shifted into the shift register on every ninth clock in sequence: D/C# bit, D7 to D0 bit. The D/C# bit (first bit of the sequential data) will determine the following data byte in the shift register is written to the Display Data RAM (D/C# bit = 1) or the command register (D/C# bit = 0). Under serial mode, only write operations are allowed.

Table 7-5 : Control pins of 3-wire Serial interface

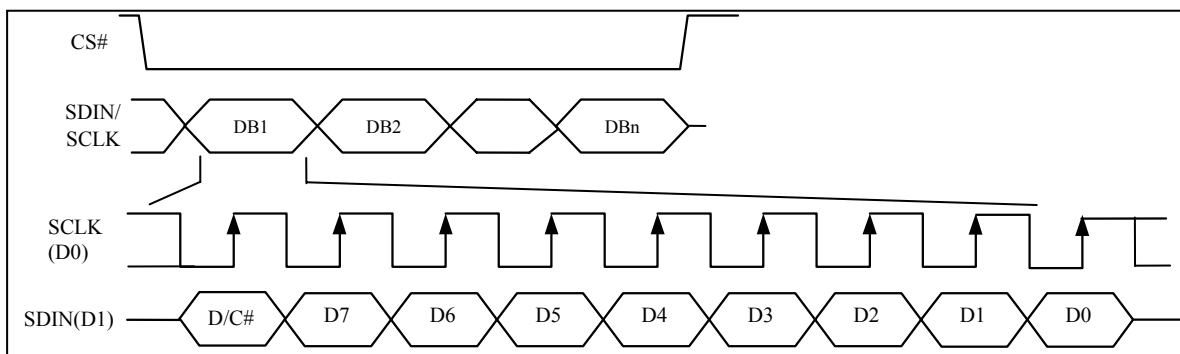
Function	E(RD#)	R/W#(WR#)	CS#	D/C#	D0
Write command	Tie LOW	Tie LOW	L	Tie LOW	↑
Write data	Tie LOW	Tie LOW	L	Tie LOW	↑

Note

⁽¹⁾ L stands for LOW in signal

⁽²⁾ ↑ stands for rising edge of signal

Figure 7-6 : Write procedure in 3-wire Serial interface mode



7.1.5 MCU I²C Interface

The I²C communication interface consists of slave address bit SA0, I²C-bus data signal SDA (SDA_{OUT}/D₂ for output and SDA_{IN}/D₁ for input) and I²C-bus clock signal SCL (D₀). Both the data and clock signals must be connected to pull-up resistors. RES# is used for the initialization of device.

a) Slave address bit (SA0)

SSD1307 has to recognize the slave address before transmitting or receiving any information by the I²C-bus. The device will respond to the slave address following by the slave address bit (“SA0” bit) and the read/write select bit (“R/W#” bit) with the following byte format,

b₇ b₆ b₅ b₄ b₃ b₂ b₁ b₀
0 1 1 1 1 0 SA0 R/W#

“SA0” bit provides an extension bit for the slave address. Either “0111100” or “0111101”, can be selected as the slave address of SSD1307. D/C# pin acts as SA0 for slave address selection.

“R/W#” bit is used to determine the operation mode of the I²C-bus interface. R/W#=1, it is in read mode. R/W#=0, it is in write mode.

b) I²C-bus data signal (SDA)

SDA acts as a communication channel between the transmitter and the receiver. The data and the acknowledgement are sent through the SDA.

It should be noticed that the ITO track resistance and the pulled-up resistance at “SDA” pin becomes a voltage potential divider. As a result, the acknowledgement would not be possible to attain a valid logic 0 level in “SDA”.

“SDA_{IN}” and “SDA_{OUT}” are tied together and serve as SDA. The “SDA_{IN}” pin must be connected to act as SDA. The “SDA_{OUT}” pin may be disconnected. When “SDA_{OUT}” pin is disconnected, the acknowledgement signal will be ignored in the I²C-bus.

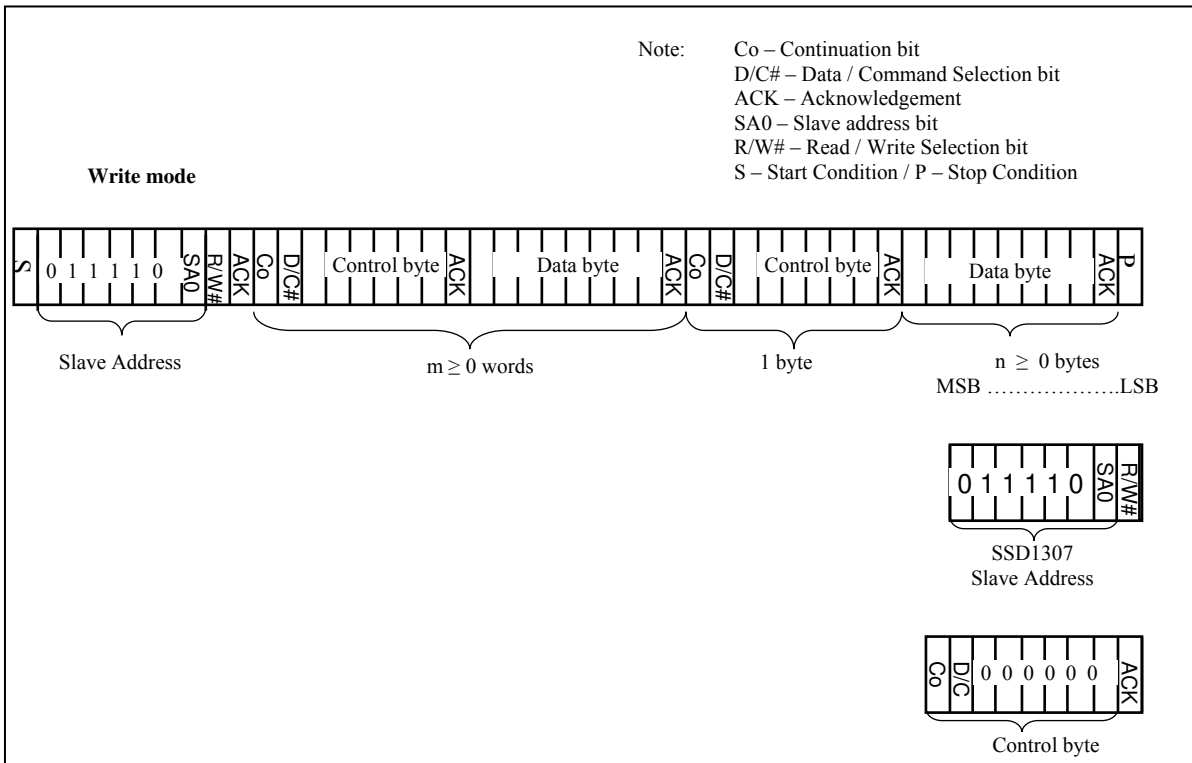
c) I²C-bus clock signal (SCL)

The transmission of information in the I²C-bus is following a clock signal, SCL. Each transmission of data bit is taken place during a single clock period of SCL.

7.1.5.1 I²C-bus Write data

The I²C-bus interface gives access to write data and command into the device. Please refer to Figure 7-7 for the write mode of I²C-bus in chronological order.

Figure 7-7 : I²C-bus data format



7.1.5.2 Write mode for I2C

- 1) The master device initiates the data communication by a start condition. The definition of the start condition is shown in Figure 7-8. The start condition is established by pulling the SDA from HIGH to LOW while the SCL stays HIGH.
- 2) The slave address is following the start condition for recognition use. For the SSD1307, the slave address is either “b0111100” or “b0111101” by changing the SA0 to LOW or HIGH (D/C pin acts as SA0).
- 3) The write mode is established by setting the R/W# bit to logic “0”.
- 4) An acknowledgement signal will be generated after receiving one byte of data, including the slave address and the R/W# bit. Please refer to the Figure 7-9 for the graphical representation of the acknowledge signal. The acknowledge bit is defined as the SDA line is pulled down during the HIGH period of the acknowledgement related clock pulse.
- 5) After the transmission of the slave address, either the control byte or the data byte may be sent across the SDA. A control byte mainly consists of Co and D/C# bits following by six “0” ‘s.
 - a. If the Co bit is set as logic “0”, the transmission of the following information will contain data bytes only.
 - b. The D/C# bit determines the next data byte is acted as a command or a data. If the D/C# bit is set to logic “0”, it defines the following data byte as a command. If the D/C# bit is set to logic “1”, it defines the following data byte as a data which will be stored at the GDDRAM. The GDDRAM column address pointer will be increased by one automatically after each data write.
- 6) Acknowledge bit will be generated after receiving each control byte or data byte.
- 7) The write mode will be finished when a stop condition is applied. The stop condition is also defined in Figure 7-8. The stop condition is established by pulling the “SDA in” from LOW to HIGH while the “SCL” stays HIGH.

Figure 7-8 : Definition of the Start and Stop Condition

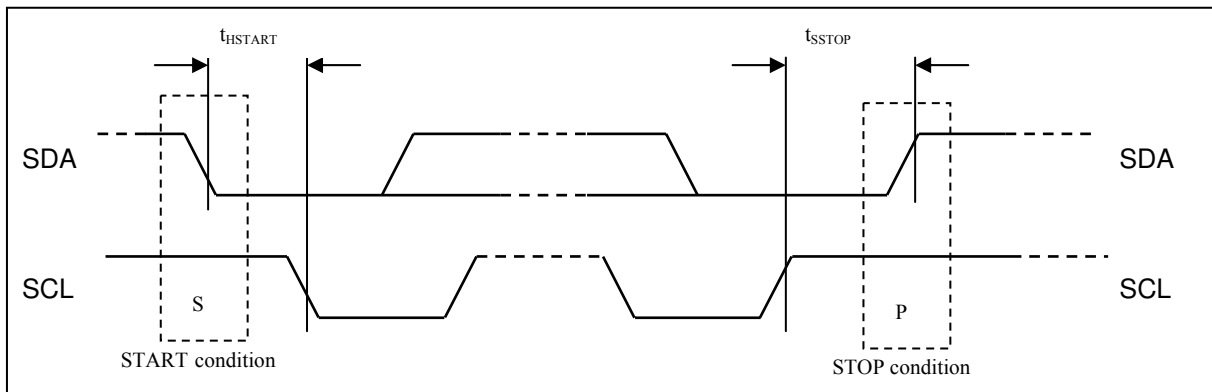
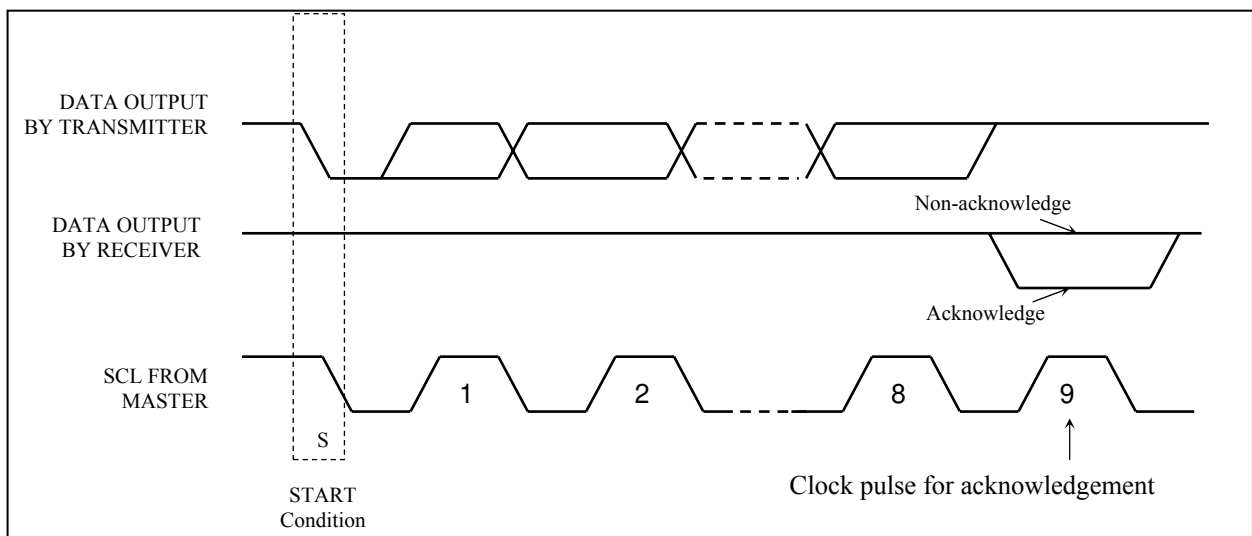


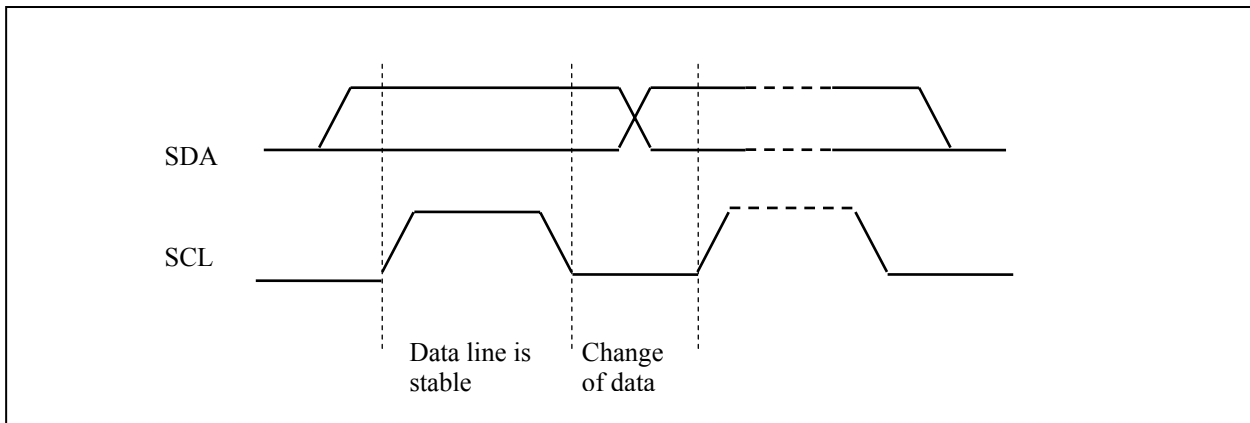
Figure 7-9 : Definition of the acknowledgement condition



Please be noted that the transmission of the data bit has some limitations.

1. The data bit, which is transmitted during each SCL pulse, must keep at a stable state within the "HIGH" period of the clock pulse. Please refer to the Figure 7-10 for graphical representations. Except in start or stop conditions, the data line can be switched only when the SCL is LOW.
2. Both the data line (SDA) and the clock line (SCL) should be pulled up by external resistors.

Figure 7-10 : Definition of the data transfer condition



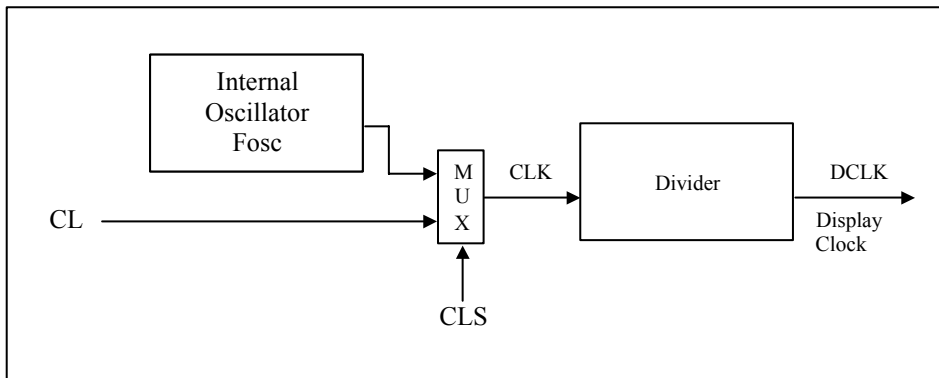
7.2 Command Decoder

This module determines whether the input data is interpreted as data or command. Data is interpreted based upon the input of the D/C# pin.

If D/C# pin is HIGH, D[7:0] is interpreted as display data written to Graphic Display Data RAM (GDDRAM). If it is LOW, the input at D[7:0] is interpreted as a command. Then data input will be decoded and written to the corresponding command register.

7.3 Oscillator Circuit and Display Time Generator

Figure 7-11 : Oscillator Circuit and Display Time Generator



This module is an on-chip LOW power RC oscillator circuitry. The operation clock (CLK) can be generated either from internal oscillator or external source CL pin. This selection is done by CLS pin. If CLS pin is pulled HIGH, internal oscillator is chosen and CL should be connected to V_{SS}. Pulling CLS pin LOW disables internal oscillator and external clock must be connected to CL pins for proper operation. When the internal oscillator is selected, its output frequency F_{osc} can be changed by command D5h A[7:4].

The display clock (DCLK) for the Display Timing Generator is derived from CLK. The division factor “D” can be programmed from 1 to 16 by command D5h

$$DCLK = F_{OSC} / D$$

The frame frequency of display is determined by the following formula.

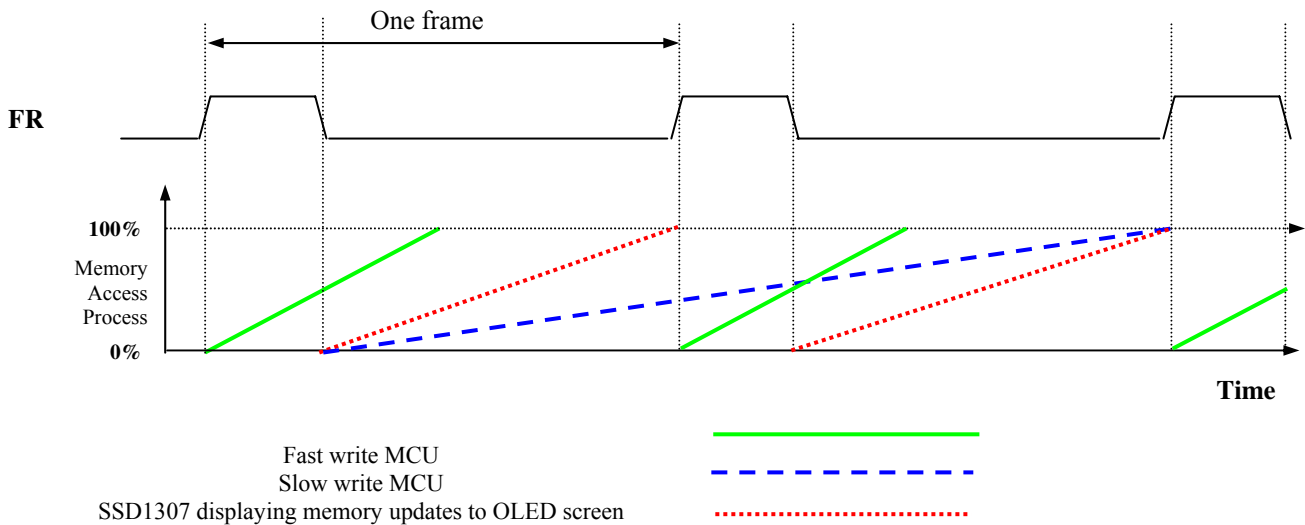
$$F_{FRM} = \frac{F_{osc}}{D \times K \times \text{No. of Mux}}$$

where

- D stands for clock divide ratio. It is set by command D5h A[3:0]. The divide ratio has the range from 1 to 16.
- K is the number of display clocks per row. The value is derived by
 $K = \text{Phase 1 period} + \text{Phase 2 period} + K_o$
 $= 2 + 2 + 50 = 54$ at power on reset (that is K_o is a constant that equals to 50)
 (Please refer to Section 7.6 “Segment Drivers / Common Drivers” for the details of the “Phase”)
- Number of multiplex ratio is set by command A8h. The power on reset value is 38 (i.e. 39MUX).
- F_{OSC} is the oscillator frequency. It can be changed by command D5h A[7:4]. The higher the register setting results in higher frequency.

7.4 FR synchronization

FR synchronization signal can be used to prevent tearing effect.



The starting time to write a new image to OLED driver is depended on the MCU writing speed. If MCU can finish writing a frame image within one frame period, it is classified as fast write MCU. For MCU needs longer writing time to complete (more than one frame but within two frames), it is a slow write one.

For fast write MCU: MCU should start to write new frame of ram data just after rising edge of FR pulse and should be finished well before the rising edge of the next FR pulse.

For slow write MCU: MCU should start to write new frame ram data after the falling edge of the 1st FR pulse and must be finished before the rising edge of the 3rd FR pulse.

7.5 Reset Circuit

When RES# input is LOW, the chip is initialized with the following status:

1. Display is OFF
2. 128 x 39 Display Mode
3. Normal segment and display data column address and row address mapping (SEG0 mapped to address 00h and COM0 mapped to address 00h)
4. Shift register data clear in serial interface
5. Display start line is set at display RAM address 0
6. Column address counter is set at 0
7. Normal scan direction of the COM outputs
8. Contrast control register is set at 7Fh
9. Normal display mode (Equivalent to A4h command)

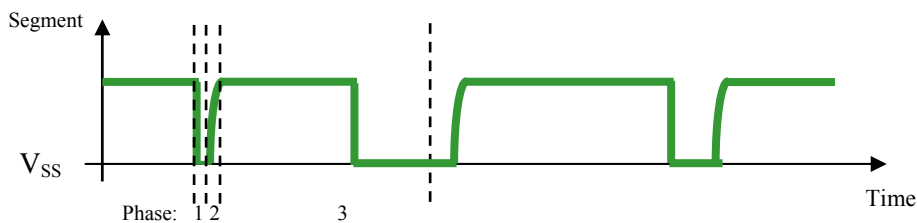
7.6 Segment Drivers / Common Drivers

Segment drivers deliver 128 current sources to drive the OLED panel. The driving current can be adjusted from 0 to 320uA with 256 steps. Common drivers generate voltage-scanning pulses.

The segment driving waveform is divided into three phases:

1. In phase 1, the OLED pixel charges of previous image are discharged in order to prepare for next image content display.
2. In phase 2, the OLED pixel is driven to the targeted voltage. The pixel is driven to attain the corresponding voltage level from V_{SS} . The period of phase 2 can be programmed in length from 1 to 15 DCLKs. If the capacitance value of the pixel of OLED panel is larger, a longer period is required to charge up the capacitor to reach the desired voltage.
3. In phase 3, the OLED driver switches to use current source to drive the OLED pixels and this is the current drive stage.

Figure 7-12 : Segment Output Waveform in three phases



After finishing phase 3, the driver IC will go back to phase 1 to display the next row image data. This three-step cycle is run continuously to refresh image display on OLED panel.

In phase 3, if the length of current drive pulse width is set to 50, after finishing 50 DCLKs in current drive phase, the driver IC will go back to phase 1 for next row display.

7.7 Graphic Display Data RAM (GDDRAM)

The GDDRAM is a bit mapped static RAM holding the bit pattern to be displayed. The size of the RAM is 128 x 39 bits and the RAM is divided into five pages, from PAGE0 to PAGE4, which are used for monochrome 128x39 dot matrix display, as shown in Figure 7-13.

When one data byte is written into GDDRAM, all the rows image data of the same page of the current column are filled (i.e. the whole column (8 bits) pointed by the column address pointer is filled.). Data bit D0 is written into the top row, while data bit D7 is written into bottom row. For PAGE4, bit D7 is treated as don't care bit.

For mechanical flexibility, re-mapping on both Segment and Common outputs can be selected by software. For vertical shifting of the display, an internal register storing the display start line can be set to control the portion of the RAM data to be mapped to the display (command D3h).

Figure 7-13 : GDDRAM pages structure of SSD1307

Segment re-mapping (command A1h)		SEG127	SEG126	SEG125	SEG124	SEG4	SEG3	SEG2	SEG1	SEG0		
Segment re-mapping (command A0h [RESET])		SEG0	SEG1	SEG2	SEG3	SEG123	SEG124	SEG125	SEG126	SEG127		
Page	Data	COL0	COL1	COL2	COL3	COL123	COL124	COL125	COL126	COL127	COM Output Scan Direction (command C0h [RESET])	COM Output Scan Direction (command C8h)
0	D0											COM0	COM38
	D1											COM1	COM37
	D2											COM2	COM36
	D3											COM3	COM35
	D4											COM4	COM34
	D5											COM5	COM33
	D6											COM6	COM32
	D7											COM7	COM31
1	D0											COM8	COM30
	D1											COM9	COM29
	D2											COM10	COM28
	D3											COM11	COM27
	D4											COM12	COM26
	D5											COM13	COM25
	D6											COM14	COM24
	D7											COM15	COM23
2	D0											COM16	COM22
	D1											COM17	COM21
	D2											COM18	COM20
	D3											COM19	COM19
	D4											COM20	COM18
	D5											COM21	COM17
	D6											COM22	COM16
	D7											COM23	COM15
3	D0											COM24	COM14
	D1											COM25	COM13
	D2											COM26	COM12
	D3											COM27	COM11
	D4											COM28	COM10
	D5											COM29	COM9
	D6											COM30	COM8
	D7											COM31	COM7
4	D0											COM32	COM6
	D1											COM33	COM5
	D2											COM34	COM4
	D3											COM35	COM3
	D4											COM36	COM2
	D5											COM37	COM1
	D6											COM38	COM0
D7		Don't care bit											

Each box represents one bit of image data

7.8 SEG/COM Driving block

This block is used to derive the incoming power sources into the different levels of internal use voltage and current.

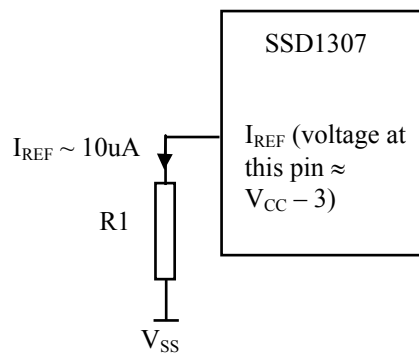
- V_{CC} is the most positive voltage supply.
- V_{COMH} is the Common deselected level. It is internally regulated.
- V_{LSS} is the ground path of the analog and panel current.
- I_{REF} is a reference current source for segment current drivers I_{SEG} . The relationship between reference current and segment current of a color is:

$$I_{SEG} = (\text{Contrast}+1) / 8 \times I_{REF}$$

in which the contrast (0~255) is set by Set Contrast command

The magnitude of I_{REF} is controlled by the value of resistor, which is connected between I_{REF} pin and V_{SS} as shown in Figure 7-14. It is recommended to set I_{REF} to $10 \pm 2\mu\text{A}$ so as to achieve $I_{SEG} = 320\mu\text{A}$ at maximum contrast 255.

Figure 7-14 : I_{REF} Current Setting by Resistor Value



Since the voltage at I_{REF} pin is $V_{CC} - 3\text{V}$, the value of resistor $R1$ can be found as below:

For $I_{REF} = 10\mu\text{A}$, $V_{CC} = 12\text{V}$:

$$\begin{aligned} R1 &= (\text{Voltage at } I_{REF} - V_{SS}) / I_{REF} \\ &\approx (12 - 3) / 10\mu\text{A} \\ &= 900\text{k}\Omega \end{aligned}$$

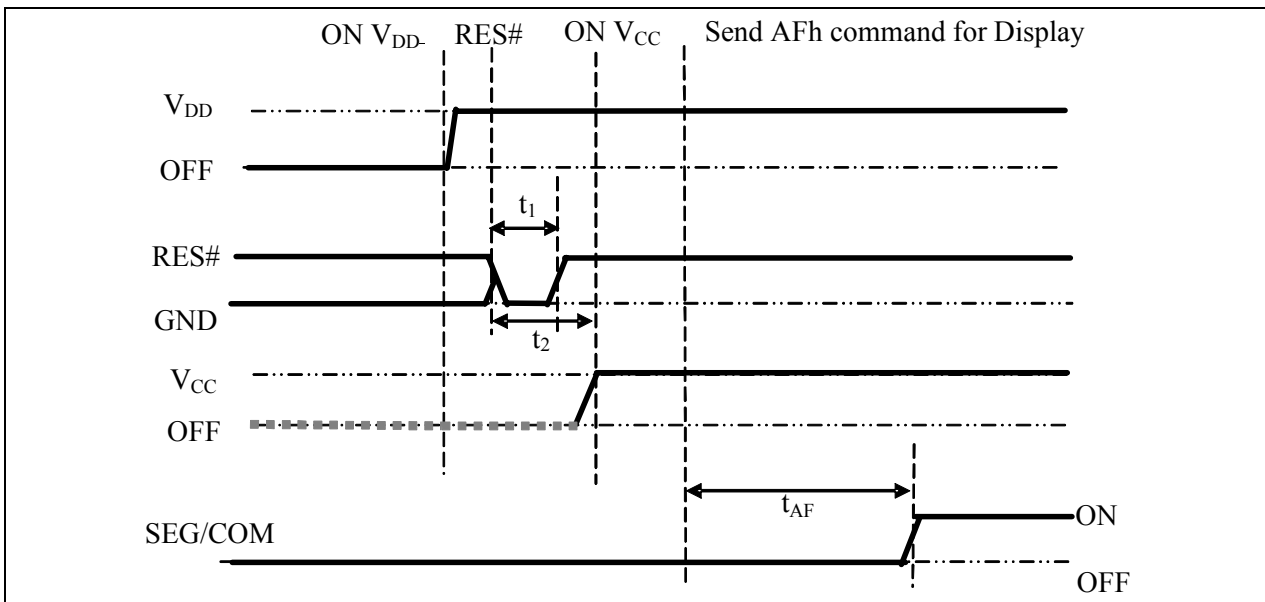
7.9 Power ON and OFF sequence

The following figures illustrate the recommended power ON and power OFF sequence of SSD1307

Power ON sequence:

1. Power ON V_{DD}
2. After V_{DD} become stable, set RES# pin LOW (logic low) for at least 3us (t_1)⁽³⁾ and then HIGH (logic high).
3. After set RES# pin LOW (logic low), wait for at least 3us (t_2). Then Power ON V_{CC} .⁽¹⁾
4. After V_{CC} become stable, send command AFh for display ON. SEG/COM will be ON after 100ms (t_{AF}).

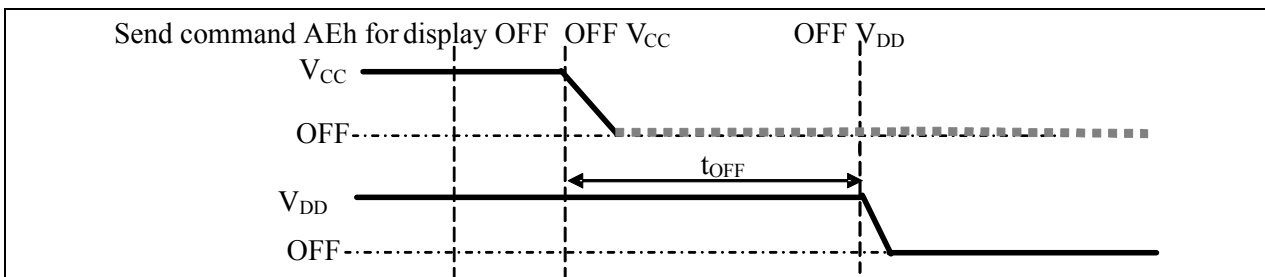
Figure 7-15 : The Power ON sequence



Power OFF sequence:

1. Send command AEh for display OFF.
2. Power OFF V_{CC} .^{(1), (2)}
3. Power OFF V_{DD} after t_{OFF} .⁽⁴⁾ (typical $t_{OFF}=100ms$)

Figure 7-16 : The Power OFF sequence



Note:

- ⁽¹⁾ V_{CC} should be kept float (i.e. disable) when it is OFF.
- ⁽²⁾ Power Pins (V_{DD} , V_{CC}) can never be pulled to ground under any circumstance.
- ⁽³⁾ The register values are reset after t_1 .
- ⁽⁴⁾ V_{DD} should not be Power OFF before V_{CC} Power OFF.

8 Command Table

Table 8-1: Proposed SSD1307 Command Table

(R/W#(WR#) = 0, E(RD#) = 1 unless specific setting is stated)

1. Fundamental Command Table											
D/C#	Hex	D7	D6	D5	D4	D3	D2	D1	D0	Command	Description
0 0	81 A[7:0]	1 A ₇	0 A ₆	0 A ₅	0 A ₄	0 A ₃	0 A ₂	0 A ₁	1 A ₀	Set Contrast Control	Double byte command to select 1 out of 256 contrast steps. Contrast increases as the value increases. (RESET = 7Fh)
0	A4/A5	1	0	1	0	0	1	0	X ₀	Entire Display ON	A4h, X ₀ =0b: Resume to RAM content display (RESET) Output follows RAM content A5h, X ₀ =1b: Entire display ON Output ignores RAM content
0	A6/A7	1	0	1	0	0	1	1	X ₀	Set Normal/Inverse Display	A6h, X[0]=0b: Normal display (RESET) 0 in RAM: OFF in display panel 1 in RAM: ON in display panel A7h, X[0]=1b: Inverse display 0 in RAM: ON in display panel 1 in RAM: OFF in display panel
0	AE AF	1	0	1	0	1	1	1	X ₀	Set Display ON/OFF	A Eh, X[0]=0b: Display OFF (sleep mode) (RESET) A Fh X[0]=1b: Display ON in normal mode

2. Scrolling Command Table																																					
D/C#	Hex	D7	D6	D5	D4	D3	D2	D1	D0	Command	Description																										
0 0 0 0 0 0 0	26/27 A[7:0] B[2:0] C[2:0] D[2:0] E[7:0] F[7:0]	0 0 * * * 0 1	0 0 * * * 0 1	1 0 * * * 0 1	0 0 * * * 0 1	0 0 * * * 0 1	1 0 B ₂ C ₂ D ₂ 0 1	1 0 B ₁ C ₁ D ₁ 0 1	X ₀ 0 B ₀ C ₀ D ₀ 0 1	Continuous Horizontal Scroll Setup	<p>26h, X[0]=0, Right Horizontal Scroll 27h, X[0]=1, Left Horizontal Scroll (Horizontal scroll by 1 column)</p> <p>A[7:0] : Dummy byte (Set as 00h)</p> <p>B[2:0] : Define start page address</p> <table border="1"> <tr> <td>000b – PAGE0</td> <td>011b – PAGE3</td> <td>110b – invalid</td> </tr> <tr> <td>001b – PAGE1</td> <td>100b – PAGE4</td> <td>111b – invalid</td> </tr> <tr> <td>010b – PAGE2</td> <td>101b – invalid</td> <td></td> </tr> </table> <p>C[2:0] : Set time interval between each scroll step in terms of frame frequency</p> <table border="1"> <tr> <td>000b – 5 frames</td> <td>100b – 3 frames</td> </tr> <tr> <td>001b – 64 frames</td> <td>101b – 4 frames</td> </tr> <tr> <td>010b – 128 frames</td> <td>110b – 25 frame</td> </tr> <tr> <td>011b – 256 frames</td> <td>111b – 2 frame</td> </tr> </table> <p>D[2:0] : Define end page address</p> <table border="1"> <tr> <td>000b – PAGE0</td> <td>011b – PAGE3</td> <td>110b – invalid</td> </tr> <tr> <td>001b – PAGE1</td> <td>100b – PAGE4</td> <td>111b – invalid</td> </tr> <tr> <td>010b – PAGE2</td> <td>101b – invalid</td> <td></td> </tr> </table> <p>The value of D[2:0] must be larger or equal to B[2:0]</p> <p>E[7:0] : Dummy byte (Set as 00h)</p> <p>F[7:0] : Dummy byte (Set as FFh)</p>	000b – PAGE0	011b – PAGE3	110b – invalid	001b – PAGE1	100b – PAGE4	111b – invalid	010b – PAGE2	101b – invalid		000b – 5 frames	100b – 3 frames	001b – 64 frames	101b – 4 frames	010b – 128 frames	110b – 25 frame	011b – 256 frames	111b – 2 frame	000b – PAGE0	011b – PAGE3	110b – invalid	001b – PAGE1	100b – PAGE4	111b – invalid	010b – PAGE2	101b – invalid	
000b – PAGE0	011b – PAGE3	110b – invalid																																			
001b – PAGE1	100b – PAGE4	111b – invalid																																			
010b – PAGE2	101b – invalid																																				
000b – 5 frames	100b – 3 frames																																				
001b – 64 frames	101b – 4 frames																																				
010b – 128 frames	110b – 25 frame																																				
011b – 256 frames	111b – 2 frame																																				
000b – PAGE0	011b – PAGE3	110b – invalid																																			
001b – PAGE1	100b – PAGE4	111b – invalid																																			
010b – PAGE2	101b – invalid																																				

2. Scrolling Command Table																																					
D/C#	Hex	D7	D6	D5	D4	D3	D2	D1	D0	Command	Description																										
0	29/2A	0	0	1	0	1	0	X ₁	X ₀	Continuous Vertical and Horizontal Scroll Setup	29h, X ₁ X ₀ =01b : Vertical and Right Horizontal Scroll 2Ah, X ₁ X ₀ =10b : Vertical and Left Horizontal Scroll (Horizontal scroll by 1 column) A[7:0] : Dummy byte (Set as 00h) B[2:0] : Define start page address <table border="1"> <tr> <td>000b – PAGE0</td> <td>011b – PAGE3</td> <td>110b – invalid</td> </tr> <tr> <td>001b – PAGE1</td> <td>100b – PAGE4</td> <td>111b – invalid</td> </tr> <tr> <td>010b – PAGE2</td> <td>101b – invalid</td> <td></td> </tr> </table> C[2:0] : Set time interval between each scroll step in terms of frame frequency <table border="1"> <tr> <td>000b – 5 frames</td> <td>100b – 3 frames</td> </tr> <tr> <td>001b – 64 frames</td> <td>101b – 4 frames</td> </tr> <tr> <td>010b – 128 frames</td> <td>110b – 25 frame</td> </tr> <tr> <td>011b – 256 frames</td> <td>111b – 2 frame</td> </tr> </table> D[2:0] : Define end page address <table border="1"> <tr> <td>000b – PAGE0</td> <td>011b – PAGE3</td> <td>110b – invalid</td> </tr> <tr> <td>001b – PAGE1</td> <td>100b – PAGE4</td> <td>111b – invalid</td> </tr> <tr> <td>010b – PAGE2</td> <td>101b – invalid</td> <td></td> </tr> </table> The value of D[2:0] must be larger or equal to B[2:0] E[5:0] : Vertical scrolling offset e.g. E[5:0]= 01h refer to offset =1 row E[5:0] =26h refer to offset =38 rows Note (1) No continuous vertical scrolling is available.	000b – PAGE0	011b – PAGE3	110b – invalid	001b – PAGE1	100b – PAGE4	111b – invalid	010b – PAGE2	101b – invalid		000b – 5 frames	100b – 3 frames	001b – 64 frames	101b – 4 frames	010b – 128 frames	110b – 25 frame	011b – 256 frames	111b – 2 frame	000b – PAGE0	011b – PAGE3	110b – invalid	001b – PAGE1	100b – PAGE4	111b – invalid	010b – PAGE2	101b – invalid	
000b – PAGE0	011b – PAGE3	110b – invalid																																			
001b – PAGE1	100b – PAGE4	111b – invalid																																			
010b – PAGE2	101b – invalid																																				
000b – 5 frames	100b – 3 frames																																				
001b – 64 frames	101b – 4 frames																																				
010b – 128 frames	110b – 25 frame																																				
011b – 256 frames	111b – 2 frame																																				
000b – PAGE0	011b – PAGE3	110b – invalid																																			
001b – PAGE1	100b – PAGE4	111b – invalid																																			
010b – PAGE2	101b – invalid																																				
0	A[2:0]	0	0	0	0	0	0	0	0																												
0	B[2:0]	*	*	*	*	*	B ₂	B ₁	B ₀																												
0	C[2:0]	*	*	*	*	*	C ₂	C ₁	C ₀																												
0	D[2:0]	*	*	*	*	*	D ₂	D ₁	D ₀																												
0	E[5:0]	*	*	E ₅	E ₄	E ₃	E ₂	E ₁	E ₀																												
0	2E	0	0	1	0	1	1	1	0	Deactivate scroll	Stop scrolling that is configured by command 26h/27h/29h/2Ah. Note (1) After sending 2Eh command to deactivate the scrolling action, the ram data needs to be rewritten.																										
0	2F	0	0	1	0	1	1	1	1	Activate scroll	Start scrolling that is configured by the scrolling setup commands :26h/27h/29h/2Ah with the following valid sequences: Valid command sequence 1: 26h ;2Fh. Valid command sequence 2: 27h ;2Fh. Valid command sequence 3: 29h ;2Fh. Valid command sequence 4: 2Ah ;2Fh. For example, if “26h; 2Ah; 2Fh.” commands are issued, the setting in the last scrolling setup command, i.e. 2Ah in this case, will be executed. In other words, setting in the last scrolling setup command overwrites the setting in the previous scrolling setup commands.																										

2. Scrolling Command Table											
D/C#	Hex	D7	D6	D5	D4	D3	D2	D1	D0	Command	Description
000	A3 A[5:0] B[5:0]	1 * *	0 * *	1 A ₅ B ₅	0 A ₄ B ₄	0 A ₃ B ₃	0 A ₂ B ₂	1 A ₁ B ₁	1 A ₀ B ₀	Set Vertical Scroll Area	<p>A[5:0] : Set No. of rows in top fixed area. The No. of rows in top fixed area is referenced to the top of the GDDRAM (i.e. row 0).[RESET = 0d]</p> <p>B[5:0] : Set No. of rows in scroll area. This is the number of rows to be used for vertical scrolling. The scroll area starts in the first row below the top fixed area. [RESET = 39d]</p> <p>Note</p> <p>⁽¹⁾ A[5:0]+B[5:0] <= MUX ratio ⁽²⁾ B[5:0] <= MUX ratio ^(3a) Vertical scrolling offset (E[5:0] in 29h/2Ah) < B[5:0] ^(3b) Set Display Start Line (X5X4X3X2X1X0 of 40h~66h) < B[5:0] ⁽⁴⁾ The last row of the scroll area shifts to the first row of the scroll area. ⁽⁵⁾ For 39d MUX display A[5:0] = 0, B[5:0]=39 : whole area scrolls A[5:0]= 0, B[5:0] < 39 : top area scrolls A[5:0] + B[5:0] < 39 : central area scrolls A[5:0] + B[5:0] = 39 : bottom area scrolls</p>

3. Addressing Setting Command Table											
D/C#	Hex	D7	D6	D5	D4	D3	D2	D1	D0	Command	Description
00	00~0F	0	0	0	0	X ₃	X ₂	X ₁	X ₀	Set Lower Column Start Address for Page Addressing Mode	<p>Set the lower nibble of the column start address register for Page Addressing Mode using X[3:0] as data bits. The initial display line register is reset to 0000b after RESET.</p> <p>Note</p> <p>⁽¹⁾ This command is only for page addressing mode.</p>
00	10~17	0	0	0	1	0	X ₂	X ₁	X ₀	Set Higher Column Start Address for Page Addressing Mode	<p>Set the higher nibble of the column start address register for Page Addressing Mode using X[2:0] as data bits. The initial display line register is reset to 0000b after RESET.</p> <p>Note</p> <p>⁽¹⁾ This command is only for page addressing mode.</p>
00	20 A[1:0]	0 *	0 *	1 *	0 *	0 *	0 *	0 A ₁	0 A ₀	Set Memory Addressing Mode	<p>A[1:0] = 00b, Horizontal Addressing Mode A[1:0] = 01b, Vertical Addressing Mode A[1:0] = 10b, Page Addressing Mode (RESET) A[1:0] = 11b, Invalid</p>

3. Addressing Setting Command Table											
D/C#	Hex	D7	D6	D5	D4	D3	D2	D1	D0	Command	Description
000	21 A[6:0] B[6:0]	0 * *	0 A ₆ B ₆	1 A ₅ B ₅	0 A ₄ B ₄	0 A ₃ B ₃	0 A ₂ B ₂	0 A ₁ B ₁	1 A ₀ B ₀	Set Column Address	Setup column start and end address A[6:0] : Column start address, range : 0-127d, (RESET=0d) B[6:0]: Column end address, range : 0-127d, (RESET =127d) Note (1) This command is only for horizontal or vertical addressing mode.
000	22 A[2:0] B[2:0]	0 * *	0 * *	1 * *	0 * *	0 * *	0 A ₂ B ₂	1 A ₁ B ₁	0 A ₀ B ₀	Set Page Address	Setup page start and end address A[2:0] : Page start Address, range : 0-4d, (RESET = 0d) B[2:0] : Page end Address, range : 0-4d, (RESET = 4d) Note (1) This command is only for horizontal or vertical addressing mode.
0	B0~B4	1	0	1	1	0	X ₂	X ₁	X ₀	Set Page Start Address for Page Addressing Mode	Set GDDRAM Page Start Address (PAGE0~PAGE4) for Page Addressing Mode using X[2:0]. Note (1) This command is only for page addressing mode.

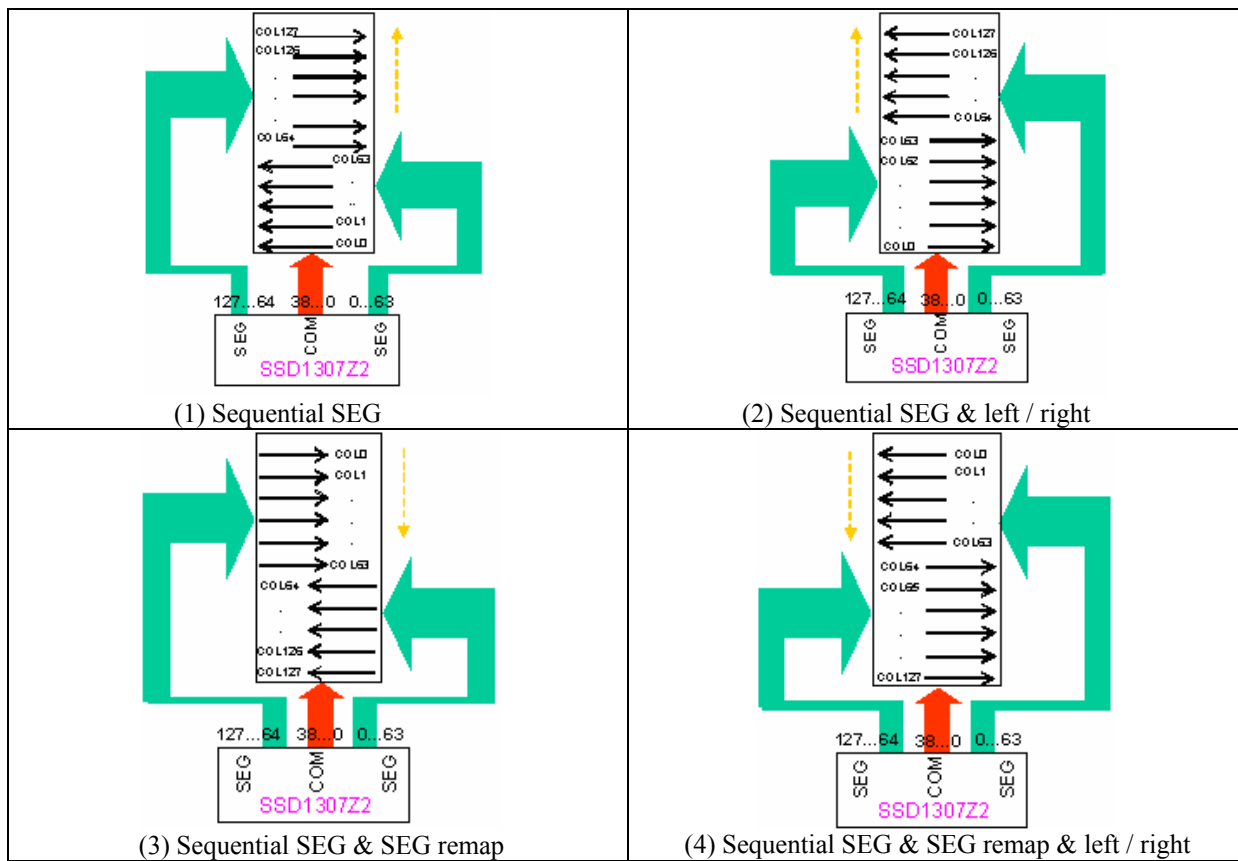
4. Hardware Configuration (Panel resolution & layout related) Command Table											
D/C#	Hex	D7	D6	D5	D4	D3	D2	D1	D0	Command	Description
0	40~66	0	1	X ₅	X ₄	X ₃	X ₂	X ₁	X ₀	Set Display Start Line	Set display RAM display offset from 0d-38d using X ₅ X ₄ X ₃ X ₂ X ₁ X ₀ . Display offset is reset to 000000b during RESET.
0	A0/A1	1	0	1	0	0	0	0	X ₀	Set Segment Re-map	A0h, X[0]=0b: column address 0 is mapped to SEG0 (RESET) A1h, X[0]=1b: column address 127 is mapped to SEG0
00	A8 A[5:0]	1 *	0 *	1 A ₅	0 A ₄	1 A ₃	0 A ₂	0 A ₁	0 A ₀	Set Multiplex Ratio	Set MUX ratio to N+1 MUX N=A[5:0] : from 16MUX to 39MUX, RESET=100110b (i.e.38d , 39Mux) A[5:0] from 0 to 14 are invalid entry.
0	C0/C8	1	1	0	0	X ₃	0	0	0	Set COM Output Scan Direction	C0h, X[3]=0b: normal mode (RESET) Scan from COM0 to COM[N-1] C8h, X[3]=1b: remapped mode. Scan from COM[N-1] to COM0 Where N is the Multiplex ratio.
00	D3 A[5:0]	1 *	1 *	0 A ₅	1 A ₄	0 A ₃	0 A ₂	1 A ₁	1 A ₀	Set Display Offset	Set vertical shift by COM from 0d~38d. The value is reset to 00h after RESET.

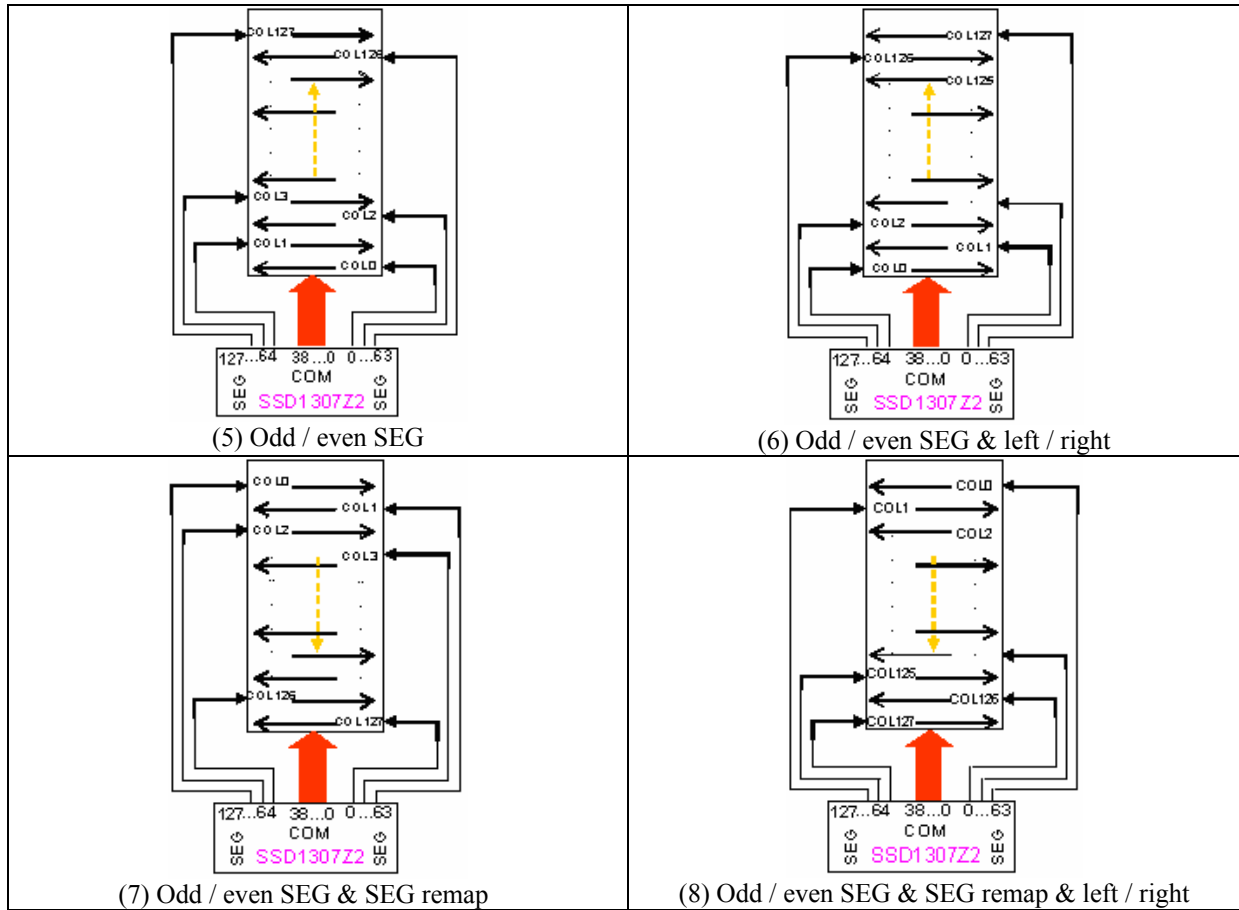
4. Hardware Configuration (Panel resolution & layout related) Command Table											
D/C#	Hex	D7	D6	D5	D4	D3	D2	D1	D0	Command	Description
0	DA	1	1	0	1	1	0	1	0	Set SEG Pins Hardware Configuration	A[4]=0b, Sequential SEG pin configuration A[4]=1b(RESET), Alternative (odd/even) SEG pin configuration A[5]=0b(RESET), Disable SEG Left/Right remap A[5]=1b, Enable SEG Left/Right remap
0	A[5:4]	0	0	A ₅	A ₄	0	0	1	0		

Table 8-2 : SEG Pins Hardware Configuration

SEG Odd / Even (Left / Right) and Top / Bottom connections are software selectable, thus there are total of 8 cases and they are shown on the followings,

Case no.	Oddeven (1) / Sequential (0) Command : DAh -> A[4]	SEG Remap Command : A0h / A1h	Left / Right Swap Command : DAh -> A[5]	Remark
1	0	0	0	
2	0	0	1	
3	0	1	0	
4	0	1	1	
5	1	0	0	Default
6	1	0	1	
7	1	1	0	
8	1	1	1	





Note:

(1) The above eight figures are all with bump pads being faced up.

5. Timing & Driving scheme Setting Command Table																							
D/C#	Hex	D7	D6	D5	D4	D3	D2	D1	D0	Command	Description												
0	D5 A[7:0]	1 A ₇	1 A ₆	0 A ₅	1 A ₄	0 A ₃	1 A ₂	0 A ₁	1 A ₀	Set Display Clock Divide Ratio/Oscillator Frequency	<p>A[3:0] : Define the divide ratio (D) of the display clocks (DCLK): Divide ratio= A[3:0] + 1, RESET is 0001b (divide ratio = 2)</p> <p>A[7:4] : Set the Oscillator Frequency, F_{OSC}. Oscillator Frequency increases with the value of A[7:4] and vice versa. RESET is 1100b</p> <p>Range:0000b~1111b Frequency increases as setting value increases.</p>												
0	D9 A[7:0]	1 A ₇	1 A ₆	0 A ₅	1 A ₄	1 A ₃	0 A ₂	0 A ₁	1 A ₀	Set Pre-charge Period	<p>A[3:0] : Phase 1 period of up to 15 DCLK clocks. 0 is invalid entry (RESET=2h)</p> <p>A[7:4] : Phase 2 period of up to 15 DCLK clocks .0 is invalid entry (RESET=2h)</p>												
0	DB A[6:4]	1 0	1 A ₆	0 A ₅	1 A ₄	1 0	0 0	1 0	1 0	Set V _{COMH} Deselect Level	<table border="1"> <thead> <tr> <th>A[6:4]</th> <th>Hex code</th> <th>V_{COMH} deselect level</th> </tr> </thead> <tbody> <tr> <td>000b</td> <td>00h</td> <td>~ 0.65 x V_{CC}</td> </tr> <tr> <td>010b</td> <td>20h</td> <td>~ 0.77 x V_{CC} (RESET)</td> </tr> <tr> <td>011b</td> <td>30h</td> <td>~ 0.83 x V_{CC}</td> </tr> </tbody> </table>	A[6:4]	Hex code	V _{COMH} deselect level	000b	00h	~ 0.65 x V _{CC}	010b	20h	~ 0.77 x V _{CC} (RESET)	011b	30h	~ 0.83 x V _{CC}
A[6:4]	Hex code	V _{COMH} deselect level																					
000b	00h	~ 0.65 x V _{CC}																					
010b	20h	~ 0.77 x V _{CC} (RESET)																					
011b	30h	~ 0.83 x V _{CC}																					

6. Others											
D/C#	Hex	D7	D6	D5	D4	D3	D2	D1	D0	Command	Description
0	E3	1	1	1	0	0	0	1	1	NOP	Command for no operation

Note

(1) “*” stands for “Don’t care”.

Table 8-3 : Read Command Table

Bit Pattern	Command	Description
D ₇ D ₆ D ₅ D ₄ D ₃ D ₂ D ₁ D ₀	Status Register Read	D[7] : Reserved D[6] : “1” for display OFF / “0” for display ON D[5] : Reserved D[4] : Reserved D[3] : Reserved D[2] : Reserved D[1] : Reserved D[0] : Reserved

Note

⁽¹⁾ Patterns other than those given in the Command Table are prohibited to enter the chip as a command; as unexpected results can occur.

8.1 Data Read / Write

To read data from the GDDRAM, select HIGH for both the R/W# (WR#) pin and the D/C# pin for 6800-series parallel mode and select LOW for the E (RD#) pin and HIGH for the D/C# pin for 8080-series parallel mode. No data read is provided in serial mode operation.

In normal data read mode the GDDRAM column address pointer will be increased automatically by one after each data read.

Also, a dummy read is required before the first data read.

To write data to the GDDRAM, select LOW for the R/W# (WR#) pin and HIGH for the D/C# pin for both 6800-series parallel mode and 8080-series parallel mode. The serial interface mode is always in write mode. The GDDRAM column address pointer will be increased automatically by one after each data write.

Table 8-4 : Address increment table (Automatic)

D/C#	R/W# (WR#)	Comment	Address Increment
0	0	Write Command	No
0	1	Read Status	No
1	0	Write Data	Yes
1	1	Read Data	Yes

9 COMMAND DESCRIPTIONS

9.1 Fundamental Command

9.1.1 Set Lower Column Start Address for Page Addressing Mode (00h~0Fh)

This command specifies the lower nibble of the 8-bit column start address for the display data RAM under Page Addressing Mode. The column address will be incremented by each data access. Please refer to Table 8-1 and Section 9.1.3 for details.

9.1.2 Set Higher Column Start Address for Page Addressing Mode (10h~17h)

This command specifies the higher nibble of the 8-bit column start address for the display data RAM under Page Addressing Mode. The column address will be incremented by each data access. Please refer to Table 8-1 and Section 9.1.3 for details.

9.1.3 Set Memory Addressing Mode (20h)

There are 3 different memory addressing mode in SSD1307: page addressing mode, horizontal addressing mode and vertical addressing mode. This command sets the way of memory addressing into one of the above three modes. In there, "COL" means the graphic display data RAM column.

Page addressing mode (A[1:0]=10xb)

In page addressing mode, after the display RAM is read / written, the column address pointer is increased automatically by 1. If the column address pointer reaches column end address, the column address pointer is reset to column start address and page address pointer is not changed. Users have to set the new page and column addresses in order to access the next page RAM content. The sequence of movement of the PAGE and column address point for page addressing mode is shown in Figure 9-1.

Figure 9-1 : Address Pointer Movement of Page addressing mode

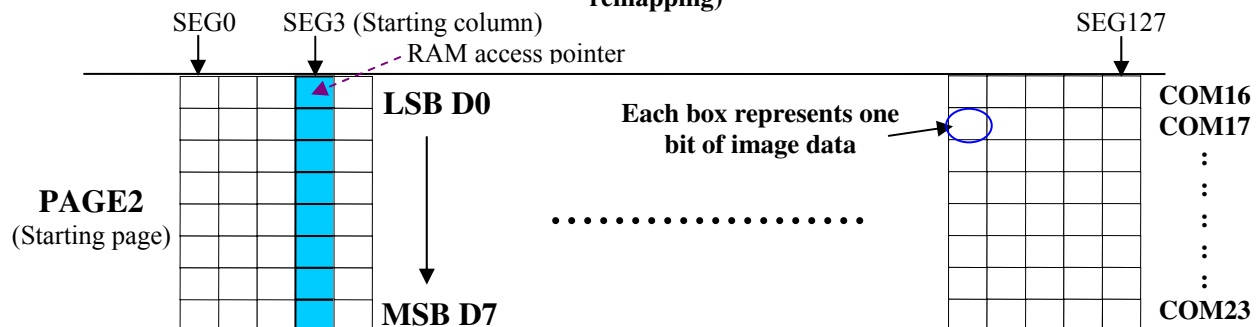
	COL0	COL 1	COL 126	COL 127
PAGE0	→				
PAGE1	→				
PAGE2	→				
PAGE3	→				
PAGE4	→				

In normal display data RAM read or write and page addressing mode, the following steps are required to define the starting RAM access pointer location:

- Set the page start address of the target display location by command B0h to B4h.
- Set the lower start column address of pointer by command 00h~0Fh.
- Set the upper start column address of pointer by command 10h~17h.

For example, if the page address is set to B2h, lower column address is 03h and upper column address is 10h, then that means the starting column is SEG3 of PAGE2. The RAM access pointer is located as shown in Figure 9-2. The input data byte will be written into RAM position of column 3.

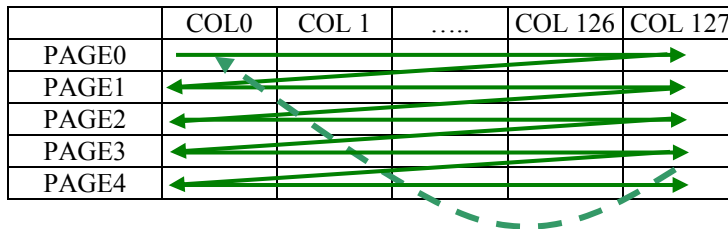
Figure 9-2 : Example of GDDRAM access pointer setting in Page Addressing Mode (No row and column-remapping)



Horizontal addressing mode (A[1:0]=00b)

In horizontal addressing mode, after the display RAM is read / written, the column address pointer is increased automatically by 1. If the column address pointer reaches column end address, the column address pointer is reset to column start address and page address pointer is increased by 1. The sequence of movement of the page and column address point for horizontal addressing mode is shown in Figure 9-3. When both column and page address pointers reach the end address, the pointers are reset to column start address and page start address (Dotted line in Figure 9-3.)

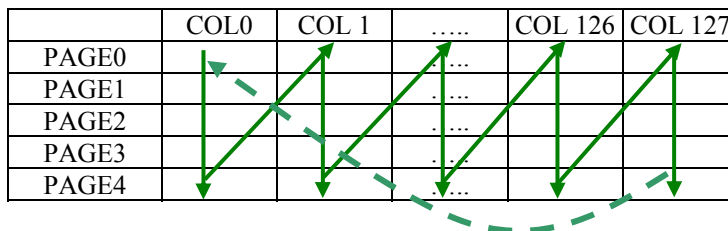
Figure 9-3 : Address Pointer Movement of Horizontal addressing mode



Vertical addressing mode: (A[1:0]=01b)

In vertical addressing mode, after the display RAM is read / written, the page address pointer is increased automatically by 1. If the page address pointer reaches the page end address, the page address pointer is reset to page start address and column address pointer is increased by 1. The sequence of movement of the page and column address point for vertical addressing mode is shown in Figure 9-4. When both column and page address pointers reach the end address, the pointers are reset to column start address and page start address (Dotted line in Figure 9-4.)

Figure 9-4 : Address Pointer Movement of Vertical addressing mode



In normal display data RAM read or write and horizontal / vertical addressing mode, the following steps are required to define the RAM access pointer location:

- Set the column start and end address of the target display location by command 21h.
- Set the page start and end address of the target display location by command 22h.

Example is shown in Figure 9-5.

9.1.4 Set Column Address (21h)

This triple byte command specifies column start address and end address of the display data RAM. This command also sets the column address pointer to column start address. This pointer is used to define the current read/write column address in graphic display data RAM. If horizontal address increment mode is enabled by command 20h, after finishing read/write one column data, it is incremented automatically to the next column address. Whenever the column address pointer finishes accessing the end column address, it is reset back to start column address and the row address is incremented to the next row.

9.1.5 Set Page Address (22h)

This triple byte command specifies page start address and end address of the display data RAM. This command also sets the page address pointer to page start address. This pointer is used to define the current read/write page address in graphic display data RAM. If vertical address increment mode is enabled by command 20h, after finishing read/write one page data, it is incremented automatically to the next page address. Whenever the page address pointer finishes accessing the end page address, it is reset back to start page address.

The figure below shows the way of column and page address pointer movement through the example: column start address is set to 2 and column end address is set to 97, page start address is set to 1 and page end address is set to 2; Horizontal address increment mode is enabled by command 20h. In this case, the graphic display data RAM column accessible range is from column 2 to column 97 and from page 1 to page 2 only. In addition, the column address pointer is set to 2 and page address pointer is set to 1. After finishing read/write one pixel of data, the column address is increased automatically by 1 to access the next RAM location for next read/write operation (*solid line in Figure 9-5*). Whenever the column address pointer finishes accessing the end column 97, it is reset back to column 2 and page address is automatically increased by 1 (*solid line in Figure 9-5*). While the end page 2 and end column 97 RAM location is accessed, the page address is reset back to 1 and the column address is reset back to 2 (*dotted line in Figure 9-5*). .

Figure 9-5 : Example of Column and Row Address Pointer Movement

	Col 0	Col 1	Col 2	Col 97	Col98	Col 126	Col 127
PAGE0										
PAGE1										
PAGE2										
PAGE3										
PAGE4										

9.1.6 Set Display Start Line (40h~66h)

This command sets the Display Start Line register to determine starting address of display RAM, by selecting a value from 0 to 38. With value equal to 0, RAM row 0 is mapped to COM0. With value equal to 1, RAM row 1 is mapped to COM0 and so on.

Refer to Table 9-1 for more illustrations.

9.1.7 Set Contrast Control for BANK0 (81h)

This command sets the Contrast Setting of the display. The chip has 256 contrast steps from 00h to FFh. The segment output current increases as the contrast step value increases.

9.1.8 Set Segment Re-map (A0h/A1h)

This command changes the mapping between the display data column address and the segment driver. It allows flexibility in OLED module design. Please refer to Table 8-2.

This command only affects subsequent data input. Data already stored in GDDRAM will have no changes.

9.1.9 Entire Display ON (A4h/A5h)

A4h command enable display outputs according to the GDDRAM contents.

If A5h command is issued, then by using A4h command, the display will resume to the GDDRAM contents. In other words, A4h command resumes the display from entire display “ON” stage.

A5h command forces the entire display to be “ON”, regardless of the contents of the display data RAM.

9.1.10 Set Normal/Inverse Display (A6h/A7h)

This command sets the display to be either normal or inverse. In normal display a RAM data of 1 indicates an “ON” pixel while in inverse display a RAM data of 0 indicates an “ON” pixel.

9.1.11 Set Multiplex Ratio (A8h)

This command switches the default 39 multiplex mode to any multiplex ratio, ranging from 16 to 39. The output pads COM0~COM38 will be switched to the corresponding COM signal.

9.1.12 Set Display ON/OFF (AEh/AFh)

These single byte commands are used to turn the OLED panel display ON or OFF.

When the display is ON, the selected circuits by Set Master Configuration command will be turned ON.

When the display is OFF, those circuits will be turned OFF and the segment and common output are in V_{SS} state and high impedance state, respectively. These commands set the display to one of the two states:

- AEh : Display OFF
- AFh : Display ON

Figure 9-6 : Transition between different modes



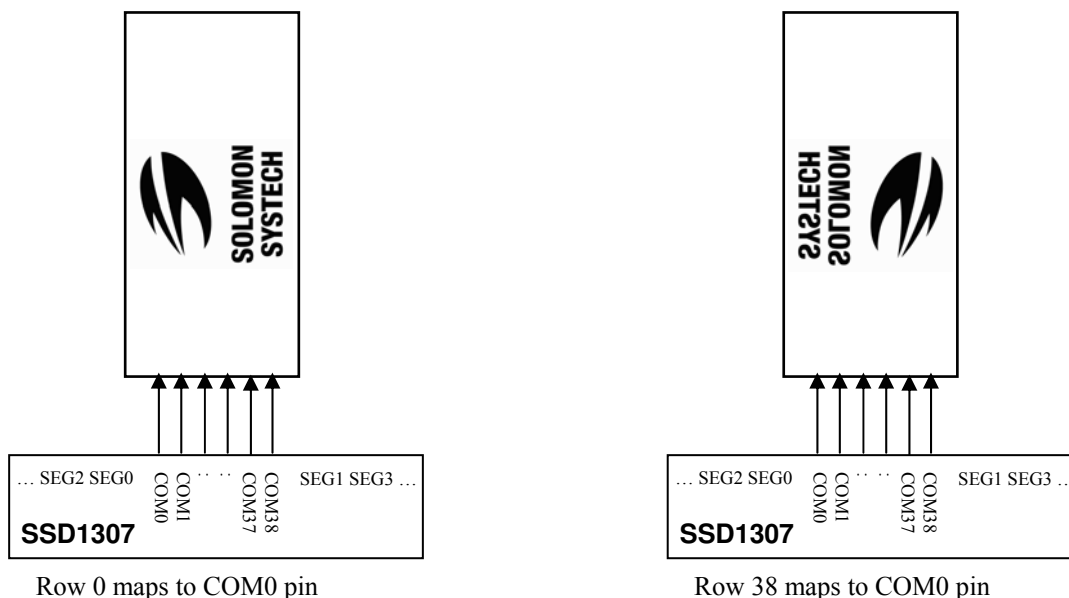
9.1.13 Set Page Start Address for Page Addressing Mode (B0h~B4h)

This command positions the page start address from 0 to 4 in GDDRAM under Page Addressing Mode. Please refer to Table 8-1 and Section 9.1.3 for details.

9.1.14 Set COM Output Scan Direction (C0h/C8h)

This command sets the scan direction of the COM output, allowing layout flexibility in the OLED module design. Additionally, the display will show once this command is issued. For example, if this command is sent during normal display, then the graphic display will be vertically flipped immediately. Please refer to Figure 9-7 and Table 9-2 for details.

Figure 9-7 : Example of row address mapping



9.1.15 Set Display Offset (D3h)

This is a double byte command. The second command specifies the mapping of the display start line to one of COM0~COM38 (assuming that COM0 is the display start line then the display start line register is equal to 0).

For example, to move the COM4 towards the COM0 direction by 4 lines the 6-bit data in the second byte should be given as 000100b. To move in the opposite direction by 4 lines the 6-bit data should be given by 39 – 4, so the second byte would be 100011b. The following two tables (Table 9-1, Table 9-2) show the examples of setting the command C0h/C8h and D3h.

Table 9-1 : Example of Set Display Offset and Display Start Line without Remap

Hardware pin name	Output												Set MUX ration (A8h) COM normal / remap (C0h / C8h) Display offset (D3h) Display start line (40h - 66h)
	39		39		39		32		32		32		
	Normal		Normal		Normal		Normal		Normal		Normal		
	0	4	0	4	0	4	0	4	0	4	0	4	
COM0	ROW0	RAM0	ROW4	RAM4	ROW0	RAM4	ROW0	RAM0	ROW4	RAM4	ROW0	RAM4	
COM1	ROW1	RAM1	ROW5	RAM5	ROW1	RAM5	ROW1	RAM1	ROW5	RAM5	ROW1	RAM5	
COM2	ROW2	RAM2	ROW6	RAM6	ROW2	RAM6	ROW2	RAM2	ROW6	RAM6	ROW2	RAM6	
COM3	ROW3	RAM3	ROW7	RAM7	ROW3	RAM7	ROW3	RAM3	ROW7	RAM7	ROW3	RAM7	
COM4	ROW4	RAM4	ROW8	RAM8	ROW4	RAM8	ROW4	RAM4	ROW8	RAM8	ROW4	RAM8	
COM5	ROW5	RAM5	ROW9	RAM9	ROW5	RAM9	ROW5	RAM5	ROW9	RAM9	ROW5	RAM9	
COM6	ROW6	RAM6	ROW10	RAM10	ROW6	RAM10	ROW6	RAM6	ROW10	RAM10	ROW6	RAM10	
COM7	ROW7	RAM7	ROW11	RAM11	ROW7	RAM11	ROW7	RAM7	ROW11	RAM11	ROW7	RAM11	
COM8	ROW8	RAM8	ROW12	RAM12	ROW8	RAM12	ROW8	RAM8	ROW12	RAM12	ROW8	RAM12	
COM9	ROW9	RAM9	ROW13	RAM13	ROW9	RAM13	ROW9	RAM9	ROW13	RAM13	ROW9	RAM13	
COM10	ROW10	RAM10	ROW14	RAM14	ROW10	RAM14	ROW10	RAM10	ROW14	RAM14	ROW10	RAM14	
COM11	ROW11	RAM11	ROW15	RAM15	ROW11	RAM15	ROW11	RAM11	ROW15	RAM15	ROW11	RAM15	
COM12	ROW12	RAM12	ROW16	RAM16	ROW12	RAM16	ROW12	RAM12	ROW16	RAM16	ROW12	RAM16	
COM13	ROW13	RAM13	ROW17	RAM17	ROW13	RAM17	ROW13	RAM13	ROW17	RAM17	ROW13	RAM17	
COM14	ROW14	RAM14	ROW18	RAM18	ROW14	RAM18	ROW14	RAM14	ROW18	RAM18	ROW14	RAM18	
COM15	ROW15	RAM15	ROW19	RAM19	ROW15	RAM19	ROW15	RAM15	ROW19	RAM19	ROW15	RAM19	
COM16	ROW16	RAM16	ROW20	RAM20	ROW16	RAM20	ROW16	RAM16	ROW20	RAM20	ROW16	RAM20	
COM17	ROW17	RAM17	ROW21	RAM21	ROW17	RAM21	ROW17	RAM17	ROW21	RAM21	ROW17	RAM21	
COM18	ROW18	RAM18	ROW22	RAM22	ROW18	RAM22	ROW18	RAM18	ROW22	RAM22	ROW18	RAM22	
COM19	ROW19	RAM19	ROW23	RAM23	ROW19	RAM23	ROW19	RAM19	ROW23	RAM23	ROW19	RAM23	
COM20	ROW20	RAM20	ROW24	RAM24	ROW20	RAM24	ROW20	RAM20	ROW24	RAM24	ROW20	RAM24	
COM21	ROW21	RAM21	ROW25	RAM25	ROW21	RAM25	ROW21	RAM21	ROW25	RAM25	ROW21	RAM25	
COM22	ROW22	RAM22	ROW26	RAM26	ROW22	RAM26	ROW22	RAM22	ROW26	RAM26	ROW22	RAM26	
COM23	ROW23	RAM23	ROW27	RAM27	ROW23	RAM27	ROW23	RAM23	ROW27	RAM27	ROW23	RAM27	
COM24	ROW24	RAM24	ROW28	RAM28	ROW24	RAM28	ROW24	RAM24	ROW28	RAM28	ROW24	RAM28	
COM25	ROW25	RAM25	ROW29	RAM29	ROW25	RAM29	ROW25	RAM25	ROW29	RAM29	ROW25	RAM29	
COM26	ROW26	RAM26	ROW30	RAM30	ROW26	RAM30	ROW26	RAM26	ROW30	RAM30	ROW26	RAM30	
COM27	ROW27	RAM27	ROW31	RAM31	ROW27	RAM31	ROW27	RAM27	ROW31	RAM31	ROW27	RAM31	
COM28	ROW28	RAM28	ROW32	RAM32	ROW28	RAM32	ROW28	RAM28	-	-	ROW28	RAM32	
COM29	ROW29	RAM29	ROW33	RAM33	ROW29	RAM33	ROW29	RAM29	-	-	ROW29	RAM33	
COM30	ROW30	RAM30	ROW34	RAM34	ROW30	RAM34	ROW30	RAM30	-	-	ROW30	RAM34	
COM31	ROW31	RAM31	ROW35	RAM35	ROW31	RAM35	ROW31	RAM31	-	-	ROW31	RAM35	
COM32	ROW32	RAM32	ROW36	RAM36	ROW32	RAM36	-	-	-	-	-	-	
COM33	ROW33	RAM33	ROW37	RAM37	ROW33	RAM37	-	-	-	-	-	-	
COM34	ROW34	RAM34	ROW38	RAM38	ROW34	RAM38	-	-	-	-	-	-	
COM35	ROW35	RAM35	ROW0	RAM0	ROW35	RAM0	-	-	ROW0	RAM0	-	-	
COM36	ROW36	RAM36	ROW1	RAM1	ROW36	RAM1	-	-	ROW1	RAM1	-	-	
COM37	ROW37	RAM37	ROW2	RAM2	ROW37	RAM2	-	-	ROW2	RAM2	-	-	
COM38	ROW38	RAM38	ROW3	RAM3	ROW38	RAM3	-	-	ROW3	RAM3	-	-	
Display examples	(a)	(b)	(c)	(d)	(e)	(f)							



(a)



(b)



(c)



(d)



(e)



(f)



(RAM)

Table 9-2 : Example of Set Display Offset and Display Start Line with Remap

Hardware pin name	Output														Set MUX ration (A8h) COM normal / remap (C0h / C8h) Display offset (D3h) Display start line (40h - 66h)
	39		39		39		32		32		32		32		
	Remap		Remap		Remap		Remap		Remap		Remap		Remap		
	0	4	0	4	0	4	0	4	0	4	0	4	0	8	
COM0	ROW38	RAM38	ROW3	RAM3	ROW38	RAM3	ROW31	RAM31	-	-	ROW31	RAM35	-	-	
COM1	ROW37	RAM37	ROW2	RAM2	ROW37	RAM2	ROW30	RAM30	-	-	ROW30	RAM34	-	-	
COM2	ROW36	RAM36	ROW1	RAM1	ROW36	RAM1	ROW29	RAM29	-	-	ROW29	RAM33	-	-	
COM3	ROW35	RAM35	ROW0	RAM0	ROW35	RAM0	ROW28	RAM28	-	-	ROW28	RAM32	-	-	
COM4	ROW34	RAM34	ROW38	RAM38	ROW34	RAM38	ROW27	RAM27	ROW31	RAM31	ROW27	RAM31	ROW31	RAM0	
COM5	ROW33	RAM33	RAM37	RAM37	ROW33	RAM37	ROW26	RAM26	ROW30	RAM30	ROW26	RAM30	ROW30	RAM38	
COM6	ROW32	RAM32	RAM36	RAM36	ROW32	RAM36	ROW25	RAM25	ROW29	RAM29	ROW25	RAM29	ROW29	RAM37	
COM7	ROW31	RAM31	RAM35	RAM35	ROW31	RAM35	ROW24	RAM24	ROW28	RAM28	ROW24	RAM28	ROW28	RAM36	
COM8	ROW30	RAM30	RAM34	RAM34	ROW30	RAM34	ROW23	RAM23	ROW27	RAM27	ROW23	RAM27	ROW27	RAM35	
COM9	ROW29	RAM29	RAM33	RAM33	ROW29	RAM33	ROW22	RAM22	ROW26	RAM26	ROW22	RAM26	ROW26	RAM34	
COM10	ROW28	RAM28	RAM32	RAM32	ROW28	RAM32	ROW21	RAM21	ROW25	RAM25	ROW21	RAM25	ROW25	RAM33	
COM11	ROW27	RAM27	RAM31	RAM31	ROW27	RAM31	ROW20	RAM20	ROW24	RAM24	ROW20	RAM24	ROW24	RAM32	
COM12	ROW26	RAM26	RAM30	RAM30	ROW26	RAM30	ROW19	RAM19	ROW23	RAM23	ROW19	RAM23	ROW23	RAM31	
COM13	ROW25	RAM25	RAM29	RAM29	ROW25	RAM29	ROW18	RAM18	ROW22	RAM22	ROW18	RAM22	ROW22	RAM30	
COM14	ROW24	RAM24	RAM28	RAM28	ROW24	RAM28	ROW17	RAM17	ROW21	RAM21	ROW17	RAM21	ROW21	RAM29	
COM15	ROW23	RAM23	RAM27	RAM27	ROW23	RAM27	ROW16	RAM16	ROW20	RAM20	ROW16	RAM20	ROW20	RAM28	
COM16	ROW22	RAM22	RAM26	RAM26	ROW22	RAM26	ROW15	RAM15	ROW19	RAM19	ROW15	RAM19	ROW19	RAM27	
COM17	ROW21	RAM21	RAM25	RAM25	ROW21	RAM25	ROW14	RAM14	ROW18	RAM18	ROW14	RAM18	ROW18	RAM26	
COM18	ROW20	RAM20	RAM24	RAM24	ROW20	RAM24	ROW13	RAM13	ROW17	RAM17	ROW13	RAM17	ROW17	RAM25	
COM19	ROW19	RAM19	RAM23	RAM23	ROW19	RAM23	ROW12	RAM12	ROW16	RAM16	ROW12	RAM16	ROW16	RAM24	
COM20	ROW18	RAM18	RAM22	RAM22	ROW18	RAM22	ROW11	RAM11	ROW15	RAM15	ROW11	RAM15	ROW15	RAM23	
COM21	ROW17	RAM17	RAM21	RAM21	ROW17	RAM21	ROW10	RAM10	ROW14	RAM14	ROW10	RAM14	ROW14	RAM22	
COM22	ROW16	RAM16	RAM20	RAM20	ROW16	RAM20	ROW9	RAM9	ROW13	RAM13	ROW9	RAM13	ROW13	RAM21	
COM23	ROW15	RAM15	RAM19	RAM19	ROW15	RAM19	ROW8	RAM8	ROW12	RAM12	ROW8	RAM12	ROW12	RAM20	
COM24	ROW14	RAM14	RAM18	RAM18	ROW14	RAM18	ROW7	RAM7	ROW11	RAM11	ROW7	RAM11	ROW11	RAM19	
COM25	ROW13	RAM13	RAM17	RAM17	ROW13	RAM17	ROW6	RAM6	ROW10	RAM10	ROW6	RAM10	ROW10	RAM18	
COM26	ROW12	RAM12	RAM16	RAM16	ROW12	RAM16	ROW5	RAM5	ROW9	RAM9	ROW5	RAM9	ROW9	RAM17	
COM27	ROW11	RAM11	RAM15	RAM15	ROW11	RAM15	ROW4	RAM4	ROW8	RAM8	ROW4	RAM8	ROW8	RAM16	
COM28	ROW10	RAM10	RAM14	RAM14	ROW10	RAM14	ROW3	RAM3	ROW7	RAM7	ROW3	RAM7	ROW7	RAM15	
COM29	ROW9	RAM9	RAM13	RAM13	ROW9	RAM13	ROW2	RAM2	ROW6	RAM6	ROW2	RAM6	ROW6	RAM14	
COM30	ROW8	RAM8	RAM12	RAM12	ROW8	RAM12	ROW1	RAM1	ROW5	RAM5	ROW1	RAM5	ROW5	RAM13	
COM31	ROW7	RAM7	RAM11	RAM11	ROW7	RAM11	ROW0	RAM0	ROW4	RAM4	ROW0	RAM4	ROW4	RAM12	
COM32	ROW6	RAM6	RAM10	RAM10	ROW6	RAM10	-	-	ROW3	RAM3	-	-	ROW3	RAM11	
COM33	ROW5	RAM5	RAM9	RAM9	ROW5	RAM9	-	-	ROW2	RAM2	-	-	ROW2	RAM10	
COM34	ROW4	RAM4	RAM8	RAM8	ROW4	RAM8	-	-	ROW1	RAM1	-	-	ROW1	RAM9	
COM35	ROW3	RAM3	RAM7	RAM7	ROW3	RAM7	-	-	ROW0	RAM0	-	-	ROW0	RAM8	
COM36	ROW2	RAM2	RAM6	RAM6	ROW2	RAM6	-	-	-	-	-	-	-	-	
COM37	ROW1	RAM1	RAM5	RAM5	ROW1	RAM5	-	-	-	-	-	-	-	-	
COM38	ROW0	RAM0	RAM4	RAM4	ROW0	RAM4	-	-	-	-	-	-	-	-	
Display examples	(a)	(b)	(c)	(d)	(e)	(f)	(g)								



(a)



(b)



(c)



(d)



(e)



(f)



(g)



(RAM)

9.1.16 Set Display Clock Divide Ratio/ Oscillator Frequency (D5h)

This command consists of two functions:

- Display Clock Divide Ratio (D) (A[3:0])
Set the divide ratio to generate DCLK (Display Clock) from CLK. The divide ratio is from 1 to 16, with reset value = 0001b. Please refer to section 7.3 for the details relationship of DCLK and CLK.
- Oscillator Frequency (A[7:4])
Program the oscillator frequency Fosc that is the source of CLK if CLS pin is pulled high. The 4-bit value results in 16 different frequency settings available as shown below. The default setting is 1100b.

9.1.17 Set Pre-charge Period (D9h)

This command is used to set the duration of the pre-charge period. The interval is counted in number of DCLK, where RESET equals to 2 DCLKs.

9.1.18 Set COM Pins Hardware Configuration (DAh)

This command sets the COM signals pin configuration to match the OLED panel hardware layout. Table 8-2 shows the COM pin configuration under different conditions (for MUX ratio = 39).

9.1.19 Set V_{COMH} Deselect Level (DBh)

This command adjusts the VCOMH regulator output.

9.1.20 NOP (E3h)

No Operation Command

9.2 Graphic Acceleration Command

9.2.1 Horizontal Scroll Setup (26h/27h)

This command consists of consecutive bytes to set up the horizontal scroll parameters and determines the scrolling start page, end page and scrolling speed.

Before issuing this command the horizontal scroll must be deactivated (2Eh). Otherwise, RAM content may be corrupted.

The SSD1307 horizontal scroll is designed for 128 columns scrolling. The following two figures (Figure 9-8, Figure 9-9, and Figure 9-10) show the examples of using the horizontal scroll:

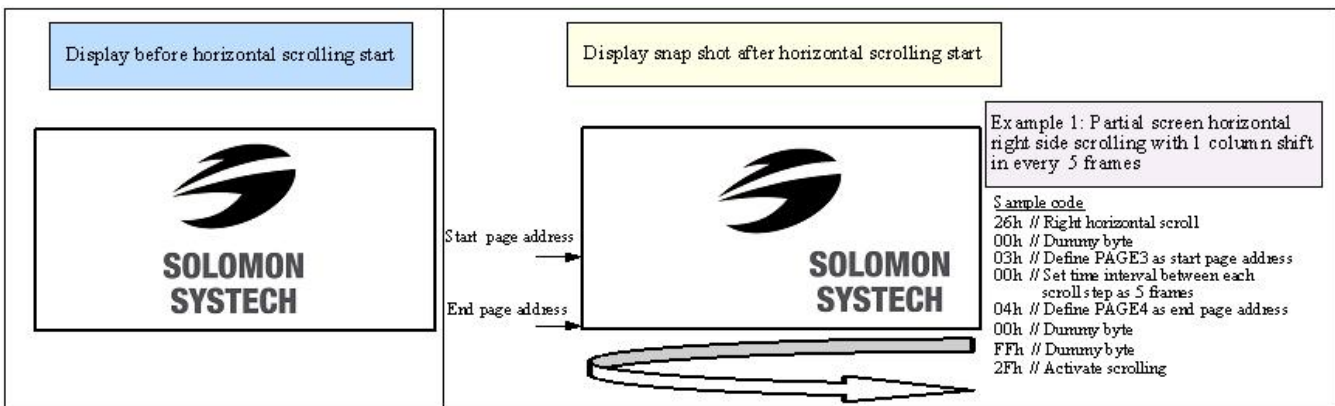
Figure 9-8 : Horizontal scroll example: Scroll RIGHT by 1 column

Original Setting	SEG0	SEG1	SEG2	SEG3	SEG4	SEG5	SEG122	SEG123	SEG124	SEG125	SEG126	SEG127
After one scroll step	SEG127	SEG0	SEG1	SEG2	SEG3	SEG4	SEG121	SEG122	SEG123	SEG124	SEG125	SEG126

Figure 9-9 : Horizontal scroll example: Scroll LEFT by 1 column

Original Setting	SEG0	SEG1	SEG2	SEG3	SEG4	SEG5	SEG122	SEG123	SEG124	SEG125	SEG126	SEG127
After one scroll step	SEG1	SEG2	SEG3	SEG4	SEG5	SEG6	SEG123	SEG124	SEG125	SEG126	SEG127	SEG0

Figure 9-10 : Horizontal scrolling setup example



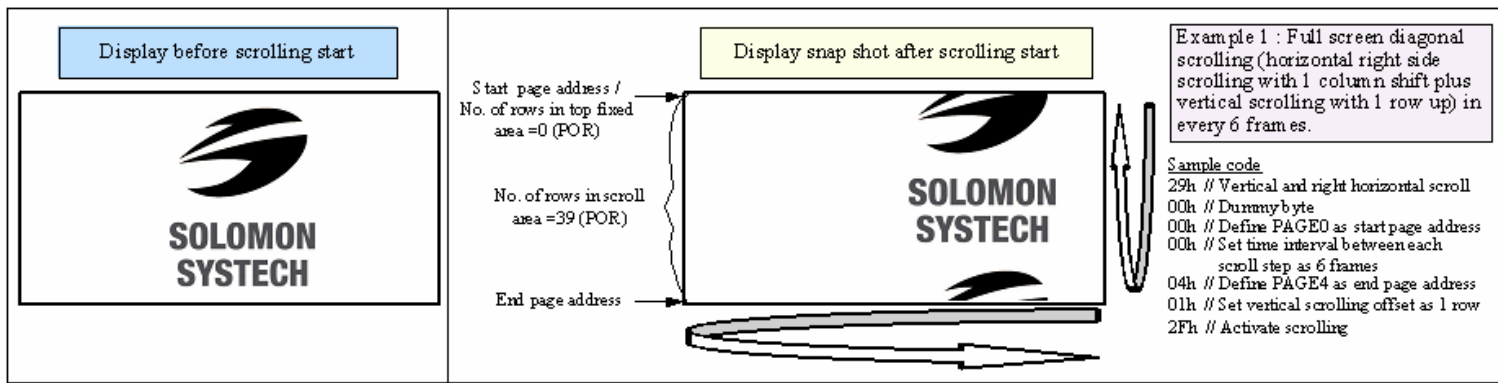
9.2.2 Continuous Vertical and Horizontal Scroll Setup (29h/2Ah)

This command consists of 6 consecutive bytes to set up the continuous vertical scroll parameters and determines the scrolling start page, end page, scrolling speed and vertical scrolling offset.

The bytes B[2:0], C[2:0] and D[2:0] of command 29h/2Ah are for the setting of the continuous horizontal scrolling. The byte E[5:0] is for the setting of the continuous vertical scrolling offset. All these bytes together are for the setting of continuous diagonal (horizontal + vertical) scrolling. If the vertical scrolling offset byte E[5:0] is set to zero, then only horizontal scrolling is performed (like command 26/27h).

Before issuing this command the scroll must be deactivated (2Eh). Otherwise, RAM content may be corrupted. The following figure (Figure 9-11) show the example of using the continuous vertical and horizontal scroll:

Figure 9-11 : Continuous Vertical and Horizontal scrolling setup example



9.2.3 Deactivate Scroll (2Eh)

This command stops the motion of scrolling. After sending 2Eh command to deactivate the scrolling action, the ram data needs to be rewritten.

9.2.4 Activate Scroll (2Fh)

This command starts the motion of scrolling and should only be issued after the scroll setup parameters have been defined by the scrolling setup commands: 26h / 27h / 29h / 2Ah. The setting in the latest scrolling setup command overwrites the setting in the previous scrolling setup command.

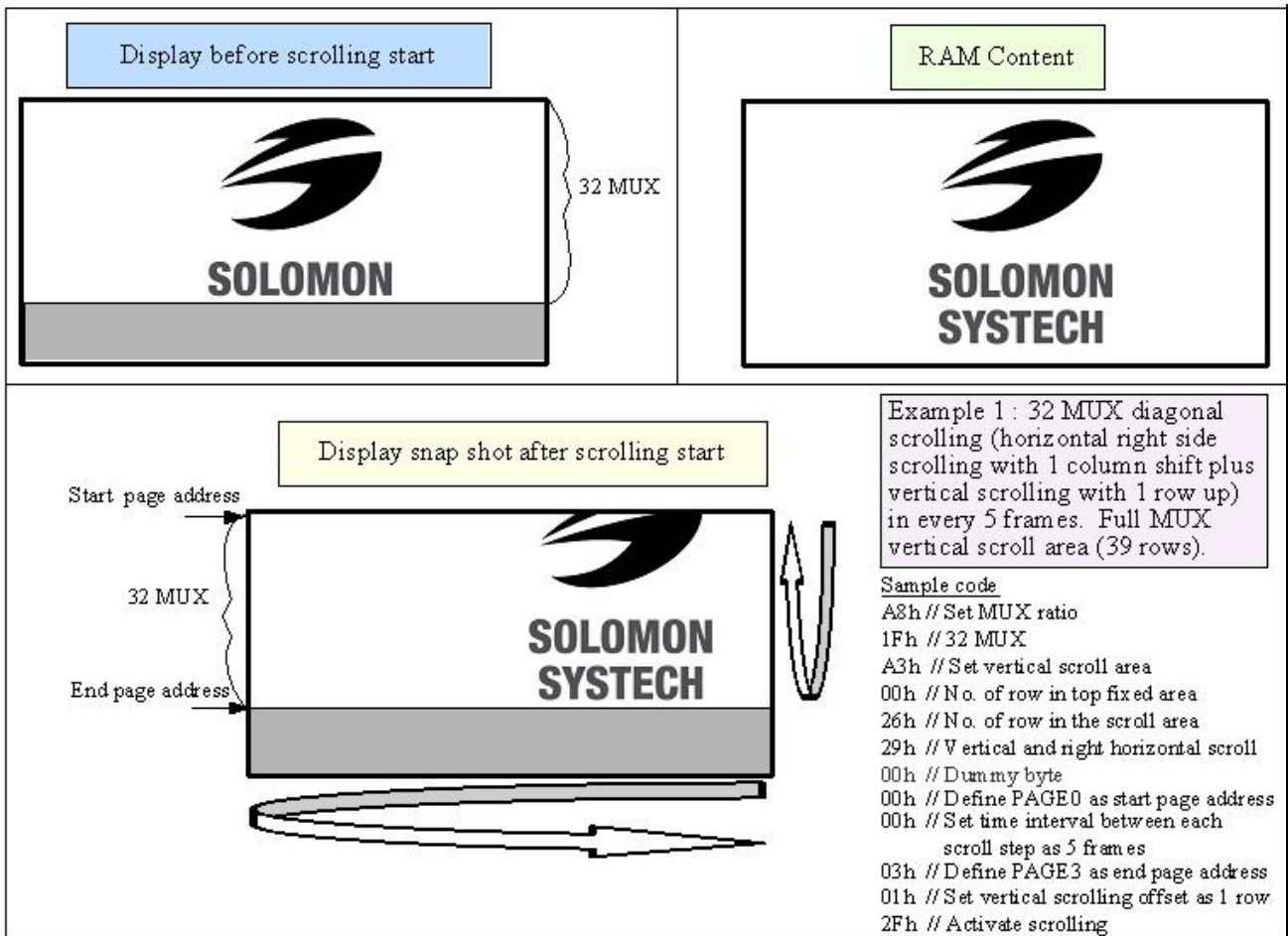
The following actions are prohibited after the scrolling is activated

1. RAM access (Data write or read)
2. Changing the horizontal scroll setup parameters

9.2.5 Set Vertical Scroll Area (A3h)

This command consists of 3 consecutive bytes to set up the vertical scroll area. For the continuous vertical scroll function (command 29h / 2Ah), the number of rows in the vertical scroll area can be set smaller than or equating to the MUX ratio. Figure 9-12 shows some vertical scrolling example with different settings in vertical scroll area.

Figure 9-12 : Vertical scroll area setup examples



10 MAXIMUM RATINGS

Table 10-1 : Maximum Ratings (Voltage Referenced to V_{SS})

Symbol	Parameter	Value	Unit
V_{DD}	Supply Voltage	-0.3 to +4	V
V_{CC}		0 to 16	V
V_{SEG}	SEG output voltage	0 to V_{CC}	V
V_{COM}	COM output voltage	0 to $0.9 \cdot V_{CC}$	V
V_{in}	Input voltage	$V_{SS}-0.3$ to $V_{DD}+0.3$	V
T_A	Operating Temperature	-40 to +85	°C
T_{stg}	Storage Temperature Range	-65 to +150	°C

Maximum ratings are those values beyond which damages to the device may occur. Functional operation should be restricted to the limits in the Electrical Characteristics tables or Pin Description section

This device may be light sensitive. Caution should be taken to avoid exposure of this device to any light source during normal operation. This device is not radiation protected.

11 DC CHARACTERISTICS

Condition (Unless otherwise specified):

Voltage referenced to V_{SS} , $V_{DD} = 1.65\text{ V to }3.3\text{V}$, $T_A = 25^\circ\text{C}$

Table 11-1 : DC Characteristics

Symbol	Parameter	Test Condition	Min	Typ	Max	Unit
V_{CC}	Operating Voltage	-	7	-	15	V
V_{DD}	Logic Supply Voltage	-	1.65	-	3.3	V
V_{OH}	High Logic Output Level	$I_{OUT} = 100\mu\text{A}$, 3.3MHz	$0.9 \times V_{DD}$	-	-	V
V_{OL}	Low Logic Output Level	$I_{OUT} = 100\mu\text{A}$, 3.3MHz	-	-	$0.1 \times V_{DD}$	V
V_{IH}	High Logic Input Level	-	$0.8 \times V_{DD}$	-	-	V
V_{IL}	Low Logic Input Level	-	-	-	$0.2 \times V_{DD}$	V
$I_{DD,SLEEP}$	Sleep mode Current	$V_{DD} = 1.65\text{V}\sim 3.3\text{V}$, $V_{CC} = 7\text{V}\sim 15\text{V}$ Display OFF, No panel attached	-	-	10	μA
$I_{CC,SLEEP}$	Sleep mode Current	$V_{DD} = 1.65\text{V}\sim 3.3\text{V}$, $V_{CC} = 7\text{V}\sim 15\text{V}$ Display OFF, No panel attached	-	-	10	μA
I_{CC}	V_{CC} Supply Current $V_{DD} = 2.8\text{V}$, $V_{CC} = 12\text{V}$, $I_{REF} = 10\mu\text{A}$, No loading, Display ON, All ON	Contrast = FFh	-	455	590	μA
I_{DD}	V_{DD} Supply Current $V_{DD} = 2.8\text{V}$, $V_{CC} = 12\text{V}$, $I_{REF} = 10\mu\text{A}$, No loading, Display ON, All ON,		-	23	30	μA
I_{SEG}	Segment Output Current, $V_{DD} = 2.8\text{V}$, $V_{CC} = 12\text{V}$, $I_{REF} = 10\mu\text{A}$, Display ON.	Contrast=FFh	285	316	345	μA
		Contrast=AFh	-	217	-	
		Contrast=7Fh	-	158	-	
		Contrast=3Fh	-	78	-	
		Contrast=0Fh	-	19	-	
Dev	Segment output current uniformity	$Dev = (I_{SEG} - I_{MID}) / I_{MID}$ $I_{MID} = (I_{MAX} + I_{MIN}) / 2$ $I_{SEG}[0:127] = \text{Segment current at contrast setting range} = 3\text{Fh to FFh}$	-3	-	3	%
Adj. Dev	Adjacent pin output current uniformity (contrast setting range = 3Fh to FFh)	$Adj\ Dev = (I[n] - I[n+1]) / (I[n] + I[n+1])$	-2	-	2	%

12 AC CHARACTERISTICS

Conditions:

Voltage referenced to V_{SS}

V_{DD} =1.65 to 3.3V

T_A = 25°C

Table 12-1 : AC Characteristics

Symbol	Parameter	Test Condition	Min	Typ	Max	Unit
FOSC ⁽¹⁾	Oscillation Frequency of Display Timing Generator	$V_{DD} = 2.8V$	378	420	462	kHz
FFRM	Frame Frequency for 39 MUX Mode	128x39 Graphic Display Mode, Display ON, Internal Oscillator Enabled	-	$F_{OSC} \times 1/(D \times K \times 39)$ ⁽²⁾	-	Hz
RES#	Reset low pulse width		3	-	-	us

Note

⁽¹⁾ Fosc stands for the frequency value of the internal oscillator and the value is measured when command D5h A[7:4] is in default value.

⁽²⁾ D: divide ratio (default value = 2)

K: number of display clocks per row period (default value = 54)

Please refer to Table 8-1 (Set Display Clock Divide Ratio/Oscillator Frequency, D5h) for detailed description

Table 12-2 : 6800-Series MCU Parallel Interface Timing Characteristics

($V_{DD} - V_{SS} = 1.65V$ to $3.3V$, $T_A = 25^\circ C$)

Symbol	Parameter	Min	Typ	Max	Unit
t_{cycle}	Clock Cycle Time	300	-	-	ns
t_{AS}	Address Setup Time	0	-	-	ns
t_{AH}	Address Hold Time	0	-	-	ns
t_{DSW}	Write Data Setup Time	40	-	-	ns
t_{DHW}	Write Data Hold Time	7	-	-	ns
t_{DHR}	Read Data Hold Time	20	-	-	ns
t_{OH}	Output Disable Time	-	-	70	ns
t_{ACC}	Access Time	-	-	140	ns
PW_{CSL}	Chip Select Low Pulse Width (read) Chip Select Low Pulse Width (write)	120 60	-	-	ns
PW_{CSH}	Chip Select High Pulse Width (read) Chip Select High Pulse Width (write)	60 60	-	-	ns
t_R	Rise Time	-	-	40	ns
t_F	Fall Time	-	-	40	ns

Figure 12-1 : 6800-series MCU parallel interface characteristics

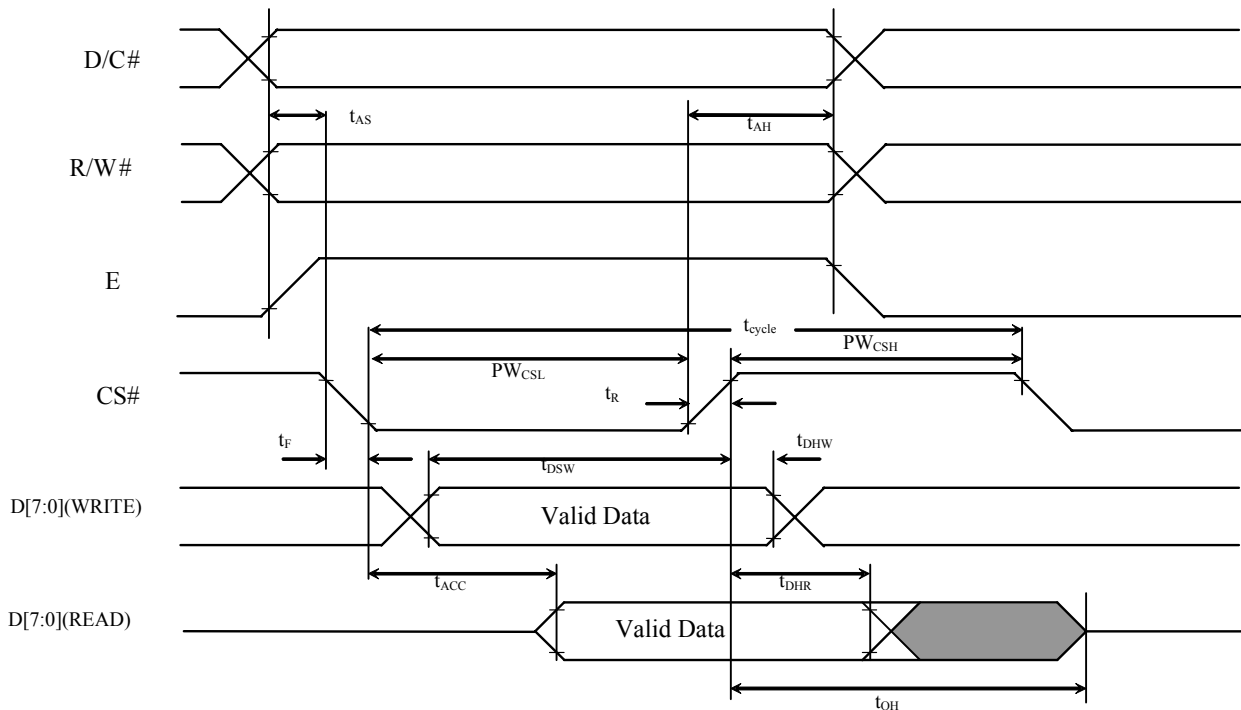


Table 12-3 : 8080-Series MCU Parallel Interface Timing Characteristics

($V_{DD} - V_{SS} = 1.65V \sim 3.3V, T_A = 25^\circ C$)

Symbol	Parameter	Min	Typ	Max	Unit
t_{cyle}	Clock Cycle Time	300	-	-	ns
t_{AS}	Address Setup Time	10	-	-	ns
t_{AH}	Address Hold Time	0	-	-	ns
t_{DSW}	Write Data Setup Time	40	-	-	ns
t_{DHW}	Write Data Hold Time	7	-	-	ns
t_{DHR}	Read Data Hold Time	20	-	-	ns
t_{OH}	Output Disable Time	-	-	70	ns
t_{ACC}	Access Time	-	-	140	ns
$t_{PWL R}$	Read Low Time	120	-	-	ns
$t_{PWL W}$	Write Low Time	60	-	-	ns
$t_{PWH R}$	Read High Time	60	-	-	ns
$t_{PWH W}$	Write High Time	60	-	-	ns
t_R	Rise Time	-	-	40	ns
t_F	Fall Time	-	-	40	ns
t_{CS}	Chip select setup time	0	-	-	ns
t_{CSH}	Chip select hold time to read signal	0	-	-	ns
t_{CSF}	Chip select hold time	20	-	-	ns

Figure 12-2 : 8080-series parallel interface characteristics

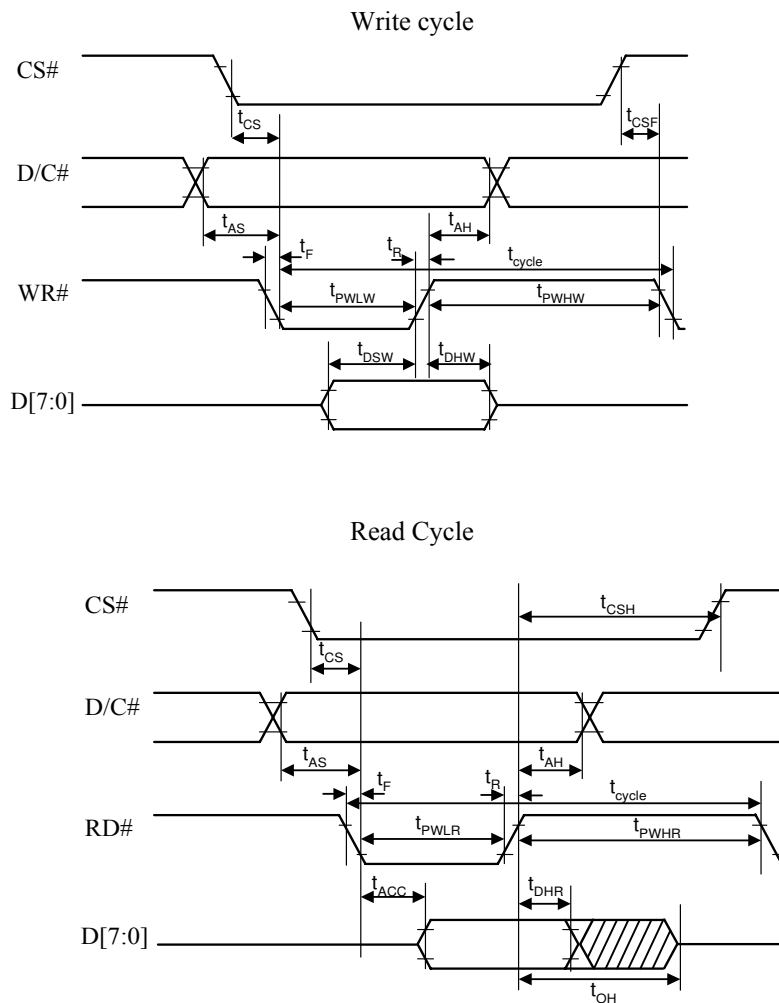


Table 12-4 : Serial Interface Timing Characteristics (4-wire SPI)

($V_{DD} - V_{SS} = 1.65V \sim 3.3V$, $T_A = 25^\circ C$)

Symbol	Parameter	Min	Typ	Max	Unit
t_{cycle}	Clock Cycle Time	100	-	-	ns
t_{AS}	Address Setup Time	15	-	-	ns
t_{AH}	Address Hold Time	15	-	-	ns
t_{CSS}	Chip Select Setup Time	20	-	-	ns
t_{CSH}	Chip Select Hold Time	10	-	-	ns
t_{DSW}	Write Data Setup Time	15	-	-	ns
t_{DHW}	Write Data Hold Time	15	-	-	ns
t_{CLKL}	Clock Low Time	20	-	-	ns
t_{CLKH}	Clock High Time	20	-	-	ns
t_R	Rise Time	-	-	40	ns
t_F	Fall Time	-	-	40	ns

Figure 12-3 : Serial interface characteristics (4-wire SPI)

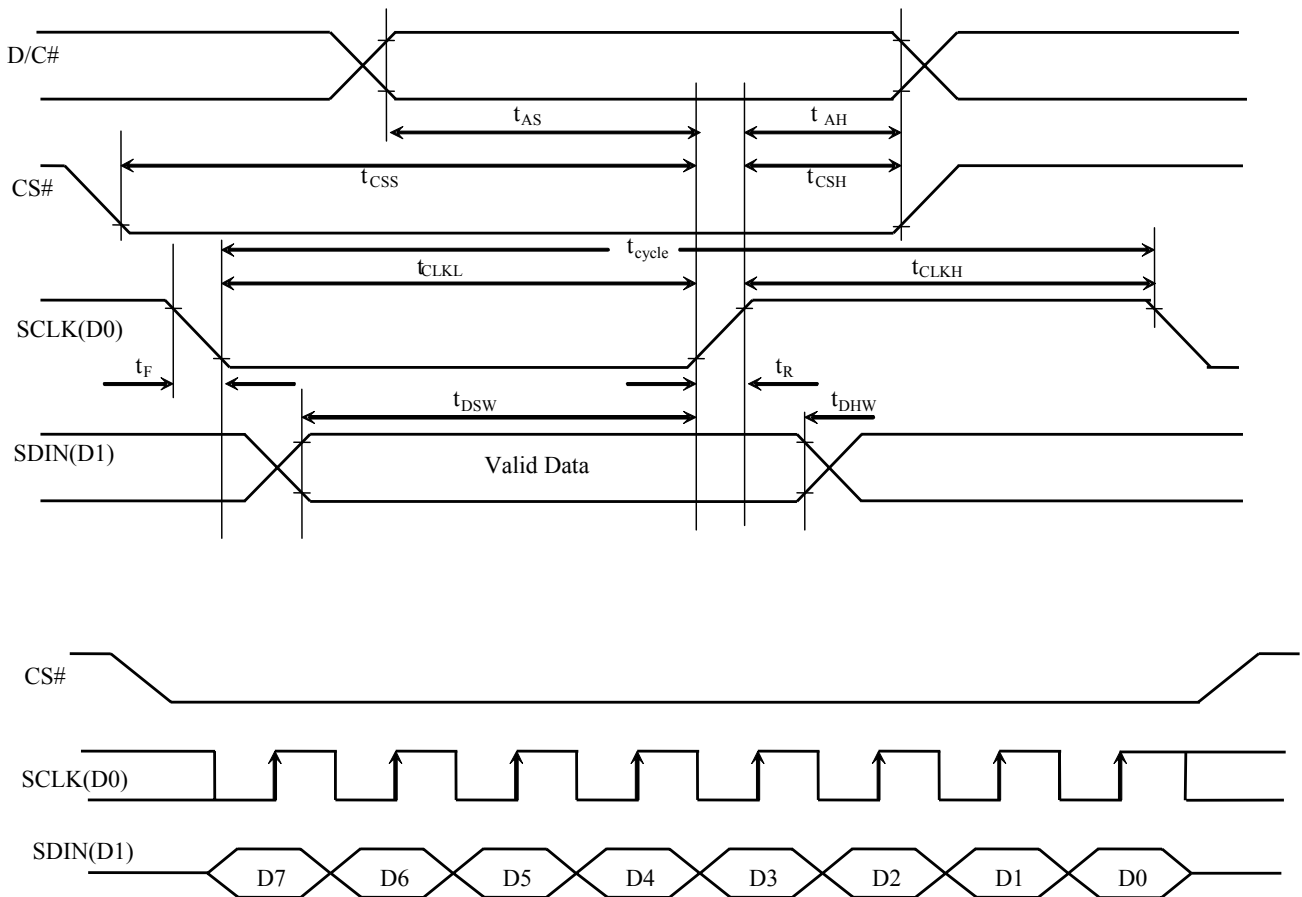
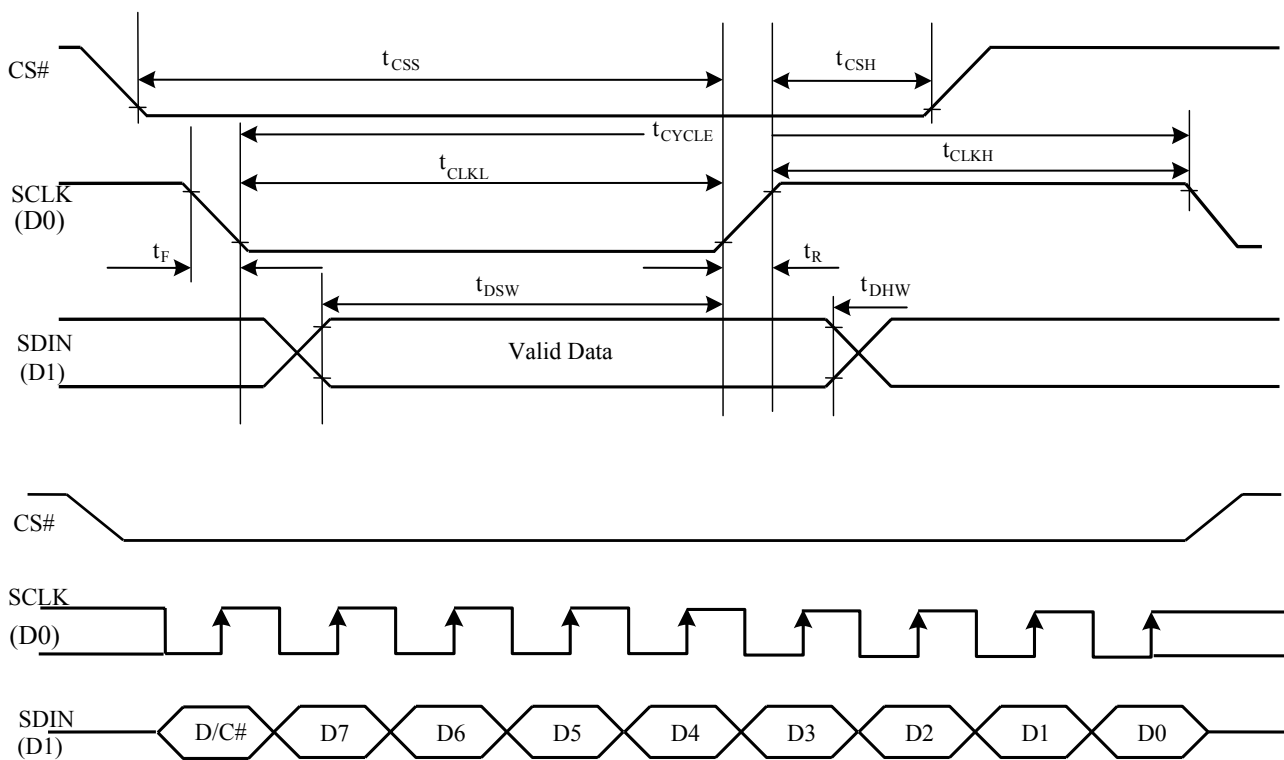


Table 12-5 : Serial Interface Timing Characteristics (3-wire SPI)

($V_{DD} - V_{SS} = 1.65V \sim 3.3V$, $T_A = 25^\circ C$)

Symbol	Parameter	Min	Typ	Max	Unit
t_{cycle}	Clock Cycle Time	100	-	-	ns
t_{CSS}	Chip Select Setup Time	20	-	-	ns
t_{CSH}	Chip Select Hold Time	10	-	-	ns
t_{DSW}	Write Data Setup Time	15	-	-	ns
t_{DHW}	Write Data Hold Time	15	-	-	ns
t_{CLKL}	Clock Low Time	20	-	-	ns
t_{CLKH}	Clock High Time	20	-	-	ns
t_R	Rise Time	-	-	40	ns
t_F	Fall Time	-	-	40	ns

Figure 12-4 : Serial interface characteristics (3-wire SPI)



Conditions:

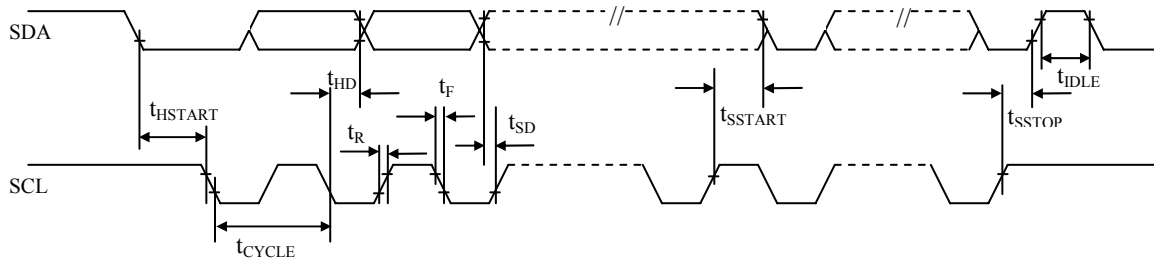
$$V_{DD} - V_{SS} = 1.65V \sim 3.3V$$

$$T_A = 25^\circ C$$

Table 12-6 : I²C Interface Timing Characteristics

Symbol	Parameter	Min	Typ	Max	Unit
t _{cycle}	Clock Cycle Time	2.5	-	-	us
t _{HSTART}	Start condition Hold Time	0.6	-	-	us
t _{HD}	Data Hold Time (for “SDA _{OUT} ” pin)	0	-	-	ns
	Data Hold Time (for “SDA _{IN} ” pin)	300	-	-	ns
t _{SD}	Data Setup Time	100	-	-	ns
t _{SSTART}	Start condition Setup Time (Only relevant for a repeated Start condition)	0.6	-	-	us
t _{SSTOP}	Stop condition Setup Time	0.6	-	-	us
t _R	Rise Time for data and clock pin	-	-	300	ns
t _F	Fall Time for data and clock pin	-	-	300	ns
t _{IDLE}	Idle Time before a new transmission can start	1.3	-	-	us

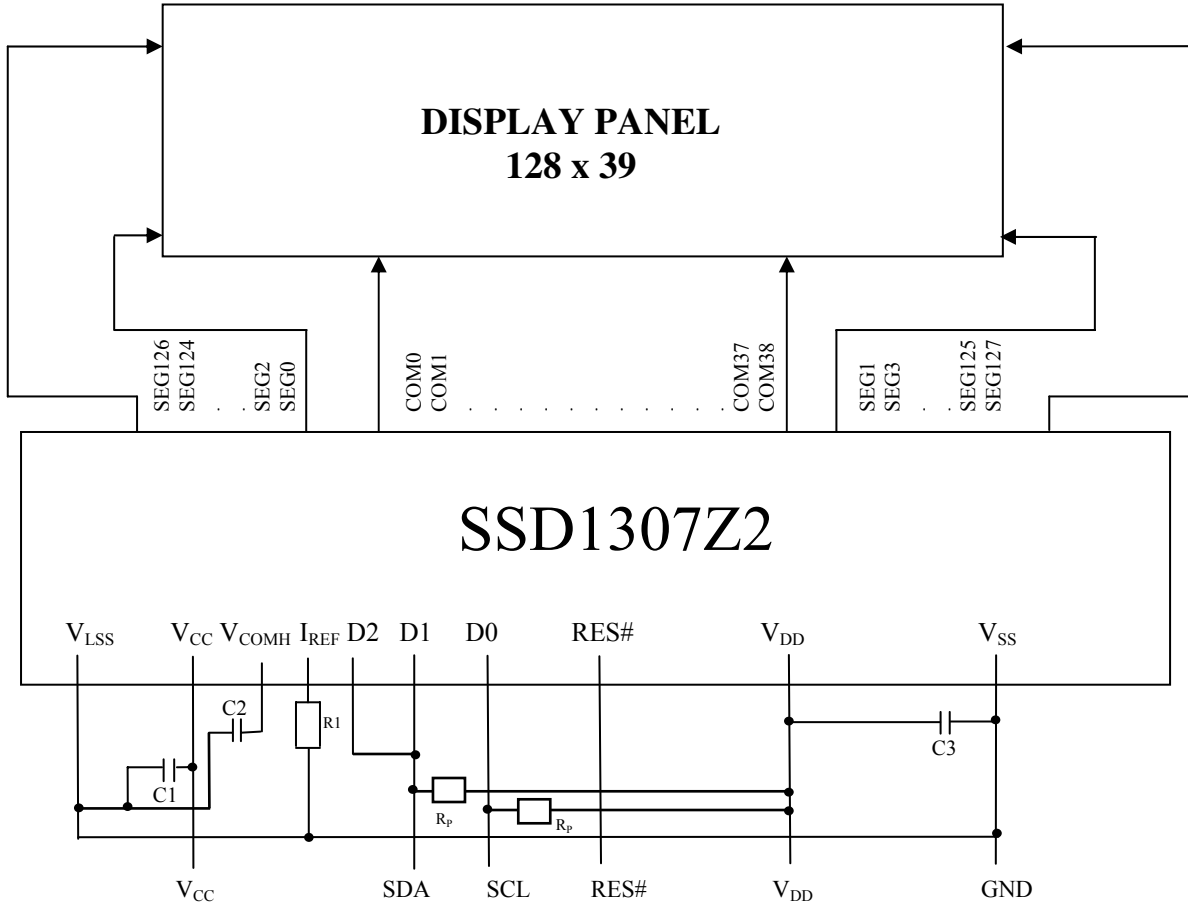
Figure 12-5 : I²C interface Timing characteristics



13 Application Example

Figure 13-1 : Application Example of SSD1307Z2

The configuration for I²C interface mode is shown in the following diagram:
 (V_{DD}=2.8V, V_{CC}=12V, I_{REF}=10uA)



Pin connected to MCU interface: D[2:0], RES#
 Pin internally connected to V_{SS}: D[7:3], BS0, BS2, E, R/W#, CS#, CL, TRB[1:0]
 Pin internally connected to V_{DD}: BS1, CLS
 TRA[3:0], FR should be left open.
 D/C# acts as SA0 for slave address selection ⁽³⁾

C1, C2: 2.2uF ⁽¹⁾
 C3: 1.0uF ⁽¹⁾ place close to IC V_{DD} and V_{SS} pins on PCB
 R_p : Pull up resistor

Voltage at I_{REF} = V_{CC} - 3V. For V_{CC} = 12V, I_{REF} = 10uA:
 $R1 = (Voltage\ at\ I_{REF} - V_{SS}) / I_{REF}$
 $\approx (12-3)V / 10uA$
 $= 900K\Omega$

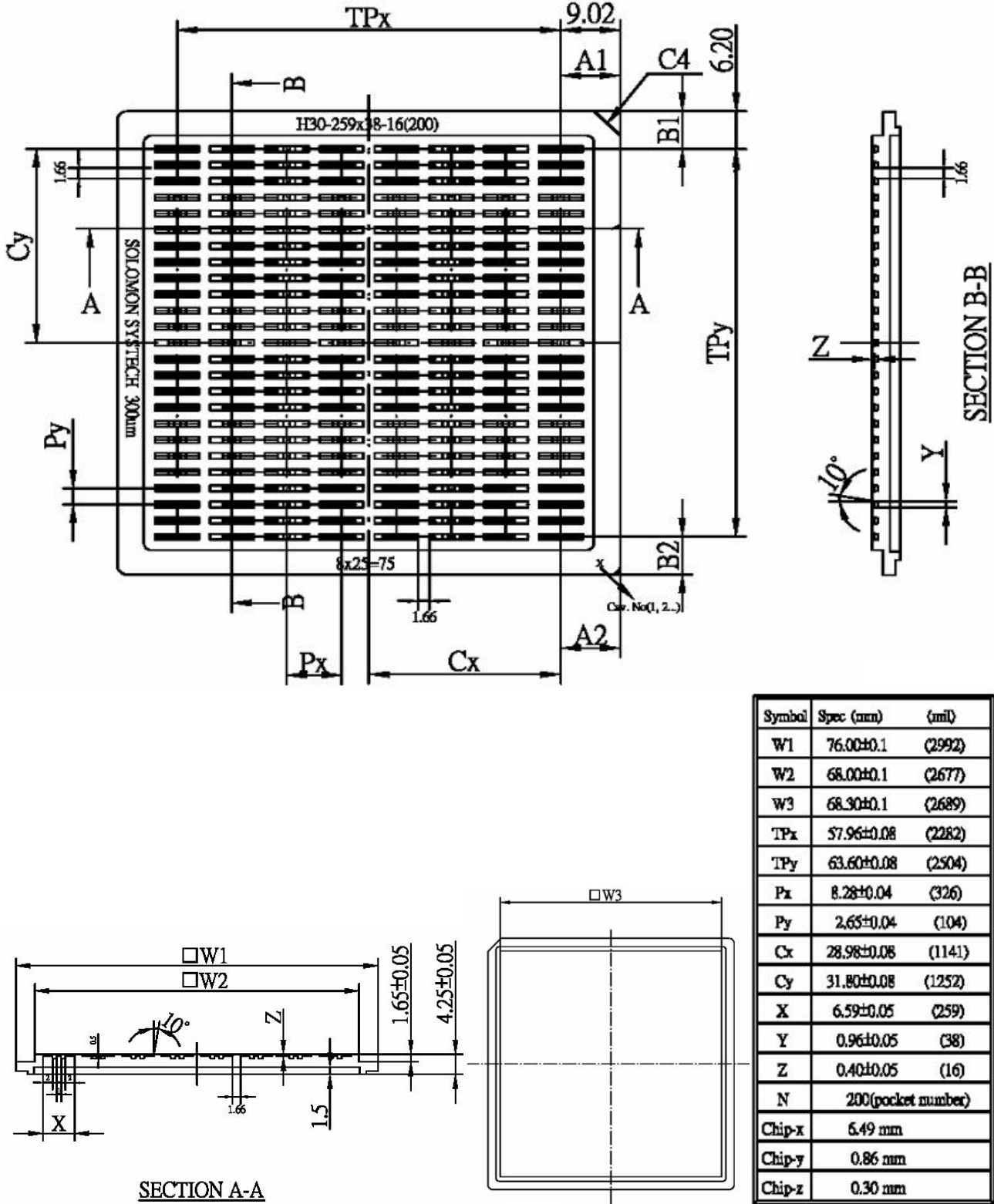
Note

- ⁽¹⁾ The capacitor value is recommended value. Select appropriate value against module application.
- ⁽²⁾ Die gold bump face down.
- ⁽³⁾ Refer to Section 7.1.5 for details.
- ⁽⁴⁾ It is recommended to tie V_{LSS} and V_{SS} at one common ground point to minimize circulating ground noise.

14 PACKAGE INFORMATION

14.1 SSD1307Z2 Die Tray Information

Figure 14-1 SSD1307Z2 die tray information



Solomon Systech reserves the right to make changes without notice to any products herein. Solomon Systech makes no warranty, representation or guarantee regarding the suitability of its products for any particular purpose, nor does Solomon Systech assume any liability arising out of the application or use of any product or circuit, and specifically disclaims any, and all, liability, including without limitation consequential or incidental damages. "Typical" parameters can and do vary in different applications. All operating parameters, including "Typical" must be validated for each customer application by the customer's technical experts. Solomon Systech does not convey any license under its patent rights nor the rights of others. Solomon Systech products are not designed, intended, or authorized for use as components in systems intended for surgical implant into the body, or other applications intended to support or sustain life, or for any other application in which the failure of the Solomon Systech product could create a situation where personal injury or death may occur. Should Buyer purchase or use Solomon Systech products for any such unintended or unauthorized application, Buyer shall indemnify and hold Solomon Systech and its offices, employees, subsidiaries, affiliates, and distributors harmless against all claims, costs, damages, and expenses, and reasonable attorney fees arising out of, directly or indirectly, any claim of personal injury or death associated with such unintended or unauthorized use, even if such claim alleges that Solomon Systech was negligent regarding the design or manufacture of the part.



The product(s) listed in this datasheet comply with Directive 2002/95/EC of the European Parliament and of the council of 27 January 2004 on the restriction of the use of certain hazardous substances in electrical and electronic equipment and People's Republic of China Electronic Industry Standard SJ/T 11363-2006 "Requirements for concentration limits for certain hazardous substances in electronic information products (电子信息产品中有毒有害物质的限量要求)". Hazardous Substances test report is available upon request.

<http://www.solomon-systech.com>