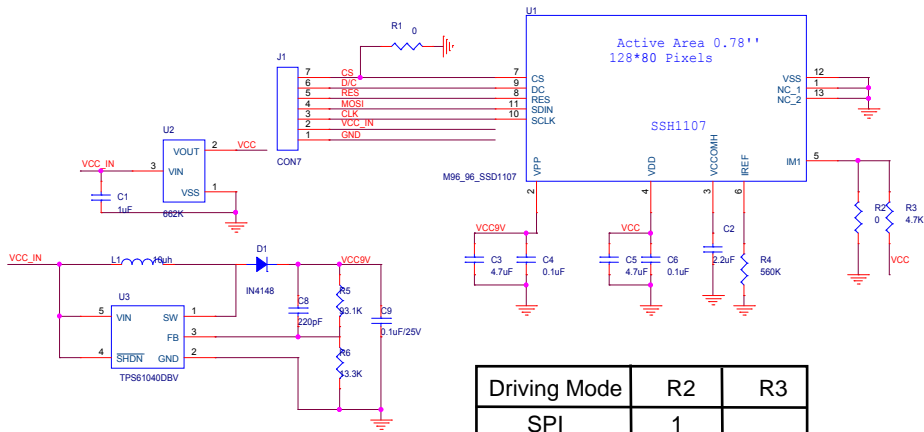


中景园电子0.78寸96x96 OLED显示屏模块原理图  
通信接口为SPI

淘宝地址: <http://shop73023976.taobao.com/?spm=a1z10.1.0.0.byBTLt&v=1>



Driving Mode	R2	R3
SPI	1	
IIC		1

Title		0.96" 128*64半色OLED驱动版	
Size		Document Number	Rev
B		<Doc>	1.0
Date:	Thursday, August 17, 2017	Sheet	1 of 1